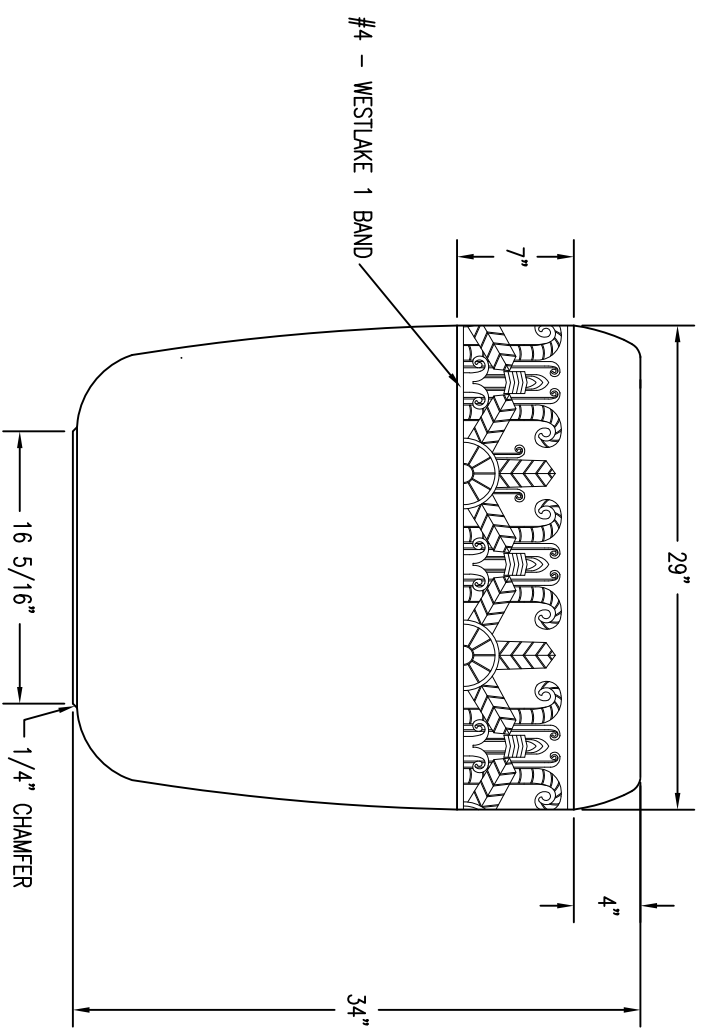
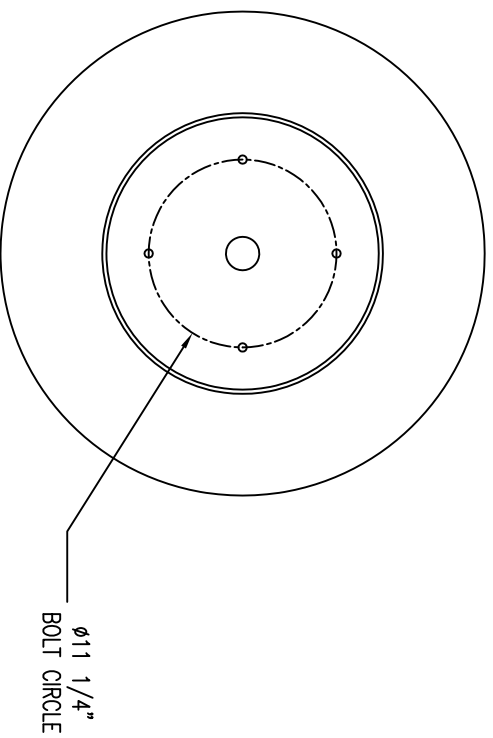


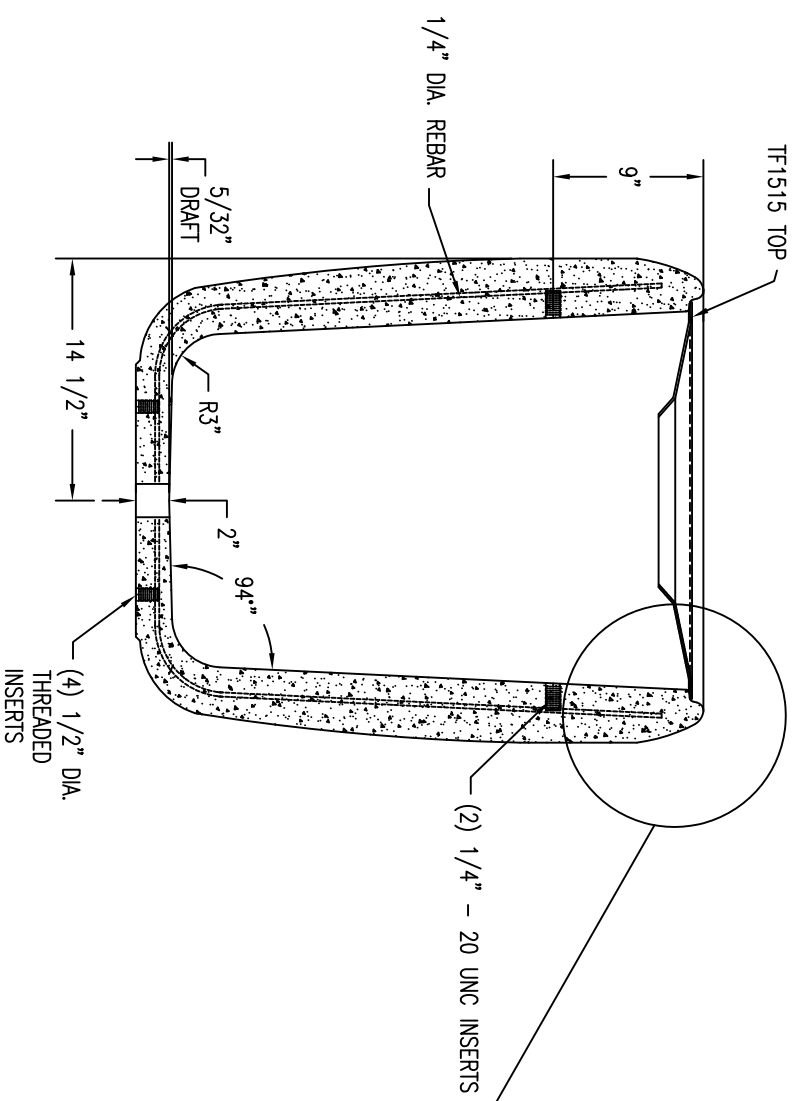
1 TOP VIEW
Scale: 1" = 1'



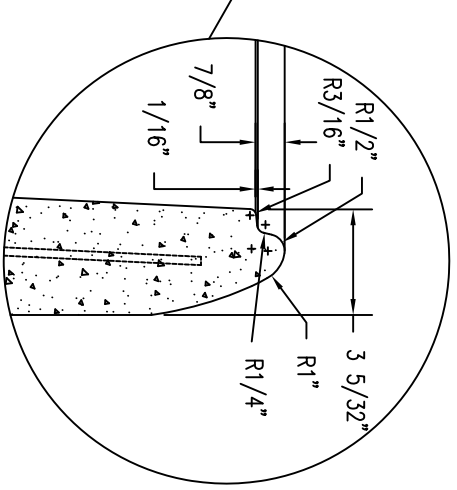
2 FRONT VIEW
Scale: 1" = 1'



3 BOTTOM VIEW
Scale: 1" = 1'



4 CROSS SECTION
Scale: 1" = 1'



5 WASTE CONTAINER EDGE DETAIL
Scale: N.T.S.

USE LINER TF1625

WAUSAU TILE SITE FURNISHINGS

P.O. BOX 1520 WAUSAU, WISCONSIN 54402-1520 800/388-8728
E-MAIL: WTL@WAUSAUTILE.COM
WEB SITE: WWW.WAUSAUTILE.COM

REVISIONS						DRAWN BY JPZ		JOB		MATERIAL	
NO.	DATE	BY	NO.	DATE	BY	TITLE	SCALE	JOB NO.	WEIGHT	DATE	FINISH OPTIONS
1			4			AS NOTED			720 LBS.	12/15/11	
2			5								
3			6								

UNLESS OTHERWISE SPECIFIED
DIMENSIONS ARE IN INCHES
ANGLES ±0.5°
FRACTIONS ±1/64"
2 PL. ±0.01 3 PL. ±0.005

PAGE 1 OF 1

DWG. NO. TF1185