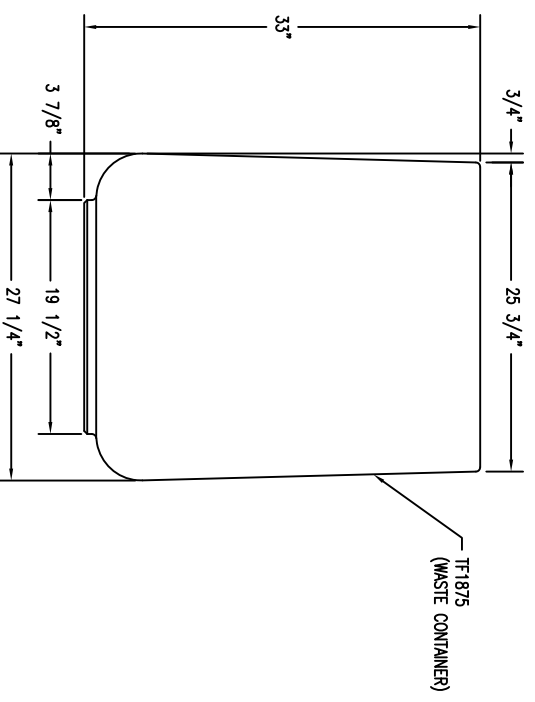
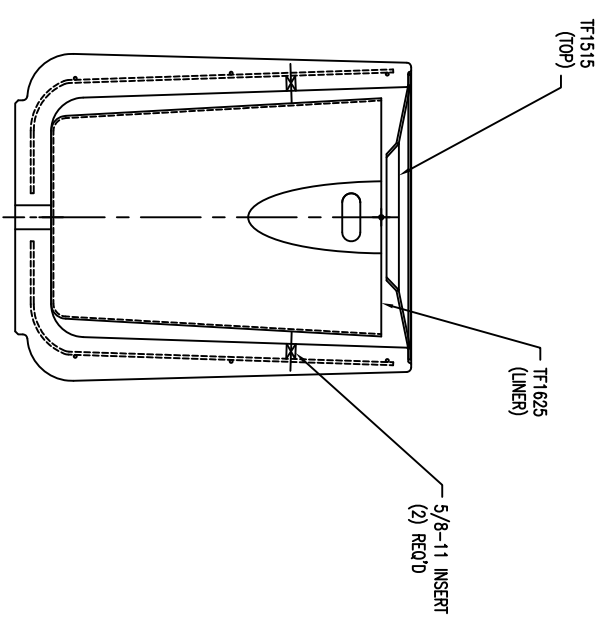


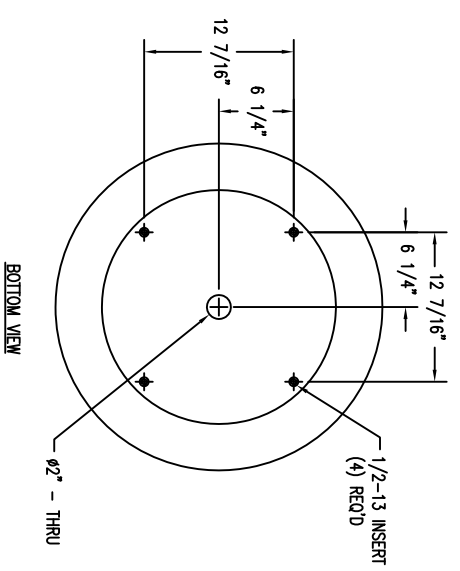
TOP VIEW



ELEVATION VIEW



SECTION VIEW



BOTTOM VIEW

WAUSAU TILE SITE FURNISHINGS

P.O. BOX 1520 WAUSAU, WISCONSIN 54982-0520 80/288-0728 P.O. BOX 871 WAUSAU, WISCONSIN 54982-0871 80/273-4530					
REVISIONS			DRAWN BY: MJS		
NO.	DATE	BY	NO.	DATE	BY
1			4		
2			5		
3			6		
TITLE		JOB NO.		MATERIAL	
SCALE		JOB NO.		CONCRETE	
1/8		274 5208 3 R. 10005		WEIGHT	
UNLESS OTHERWISE SPECIFIED		DATE		FINISH	
DIMENSIONS IN INCHES		10/10/07		OPTIONS	
274 5208 3 R. 10005				A, B, C, GT	
				DWG. NO.	
				TF1175	