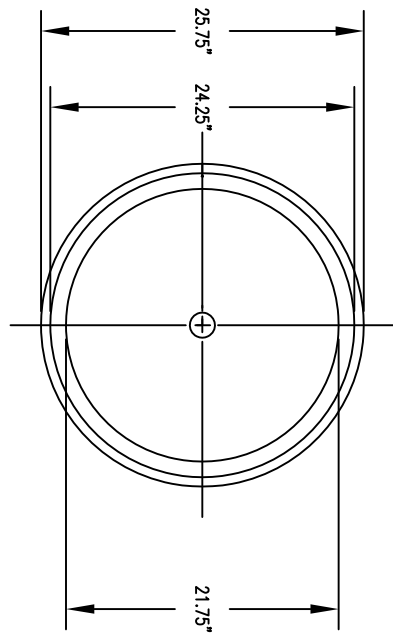
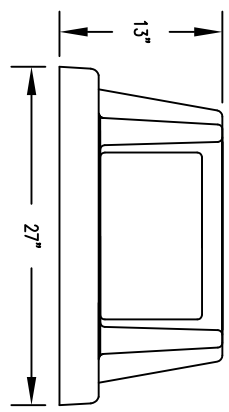


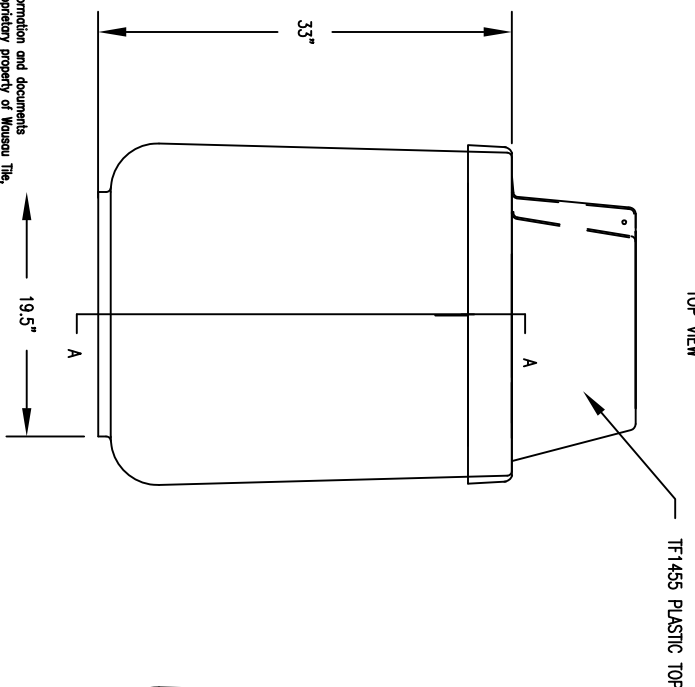
TF1170



TOP VIEW

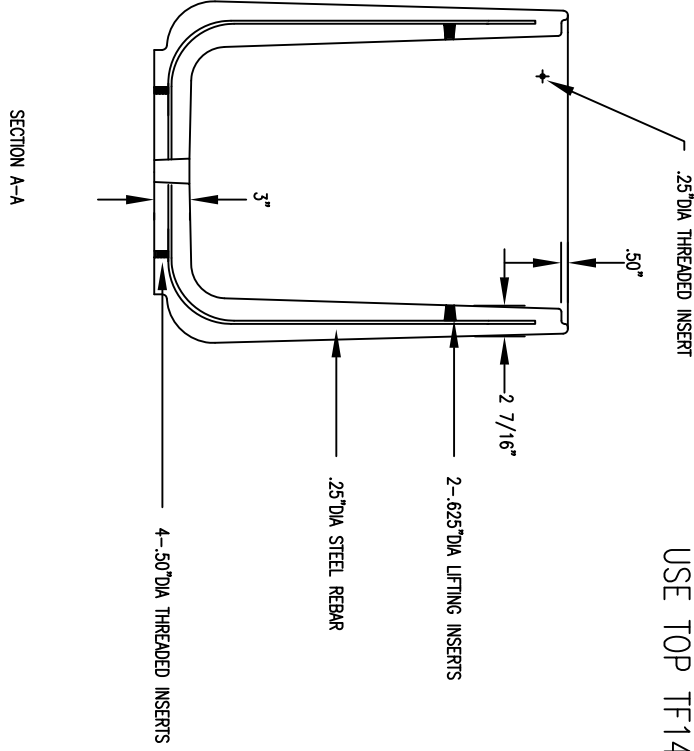


USE TOP TF1455 PLASTIC



TF1455 PLASTIC TOP

SIDE VIEW



SECTION A-A

CONFIDENTIAL INFORMATION
 These drawings, specifications and the other information and documents accompanying them are the confidential and proprietary property of Wausau Tile, Inc. The drawings themselves shall belong to the owner for use only on this project. Any additional use shall require the prior written approval of Wausau Tile, Inc. The proprietary information contained within the drawings and the documents is and shall remain the sole property of Wausau Tile, Inc.

WAUSAU TILE SITE FURNISHINGS

P.O. BOX 1520 WAUSAU, WISCONSIN 54402-1520 800/388-8728
 P.O. BOX 967 BANNING, CALIFORNIA 92220 877-849-5695

REVISIONS				DRAWN BY		JOB		MATERIAL	
NO.	DATE	BY	NO.	DATE	BY	TITLE	LOCATION:	WEIGHT	CONCRETE
1			4			TF1170	WASTE CONTAINER TF1170	700 LBS	
2			5			SCALE NTS	UNLESS OTHERWISE SPECIFIED DIMENSIONS ARE IN INCHES ANGLES ±0.5°		
3			6			JOB NO: XXXXXX	2 PL ±0.01 3 PL ±0.005		
				DATE		DATE		FINISH OPTIONS	
				9/18/06		9/18/06		XXXX	
				DWG. NO.		006-9-506			