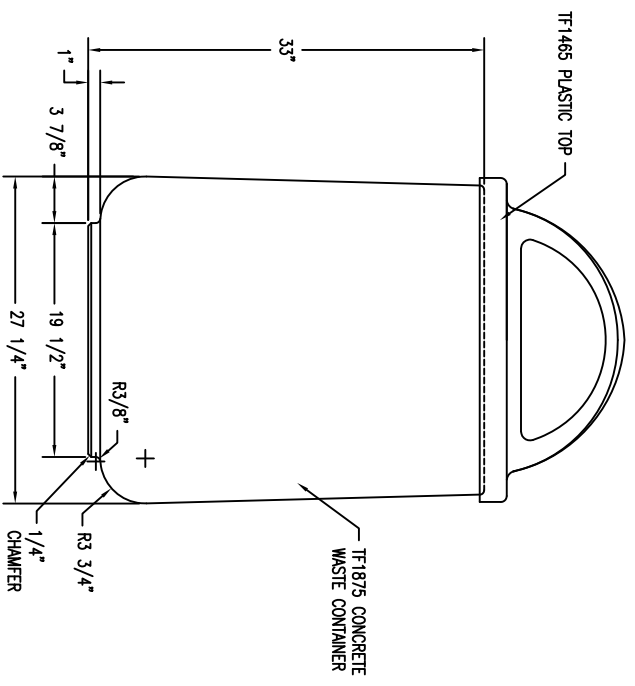
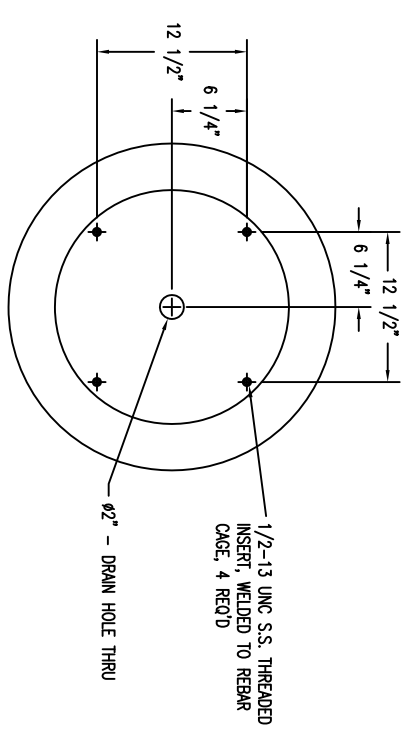


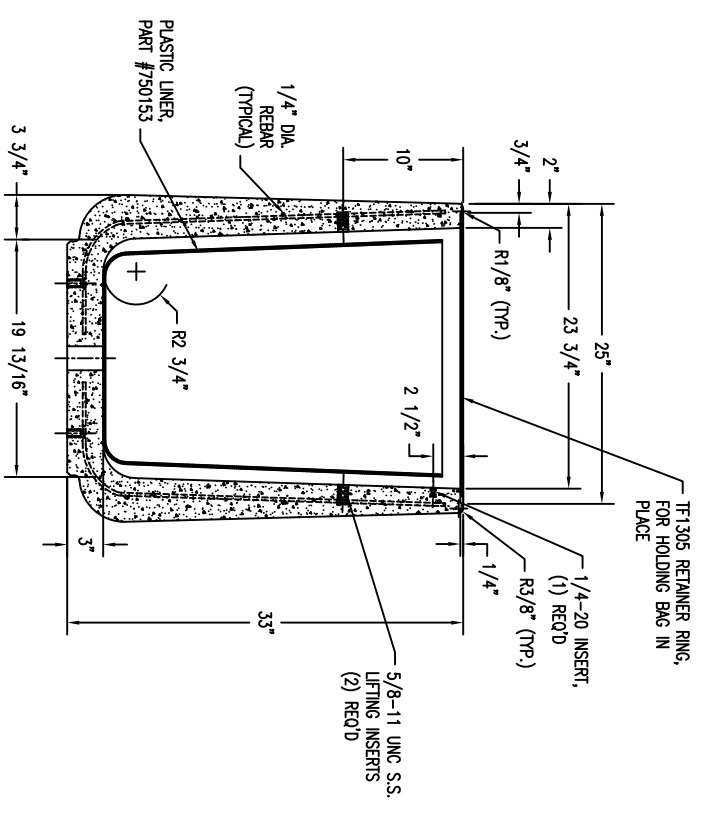
1 TOP VIEW OF WASTE CONTAINER
Scale: 1/8" = 1"



2 ELEVATION VIEW OF WASTE CONTAINER
Scale: 1/8" = 1"



3 BOTTOM VIEW OF WASTE CONTAINER
Scale: 1/8" = 1"



4 SECTION VIEW OF WASTE CONTAINER, WITH OUT LID
Scale: 1/8" = 1"

WAUSAU TILE		P.O. BOX 1520 WAUSAU, WISCONSIN 54982-1520 800/298-8728	
E-MAIL: tile@wausautile.com		WEB SITE: www.wausautile.com	
DRAWN BY: JPZ	JOB:	MATERIAL:	CONCRETE
JOB NO.:	LOCATION:	WEIGHT:	700 LBS
SCALE: AS NOTED	UNLESS OTHERWISE SPECIFIED DIMENSIONS ARE IN INCHES TOLERANCES ±1/8"	DATE:	11/15/11
REVISION:	DESCRIPTION:	DRAWN BY:	DATE:
1			
2			
3			
4			
FINISH OPTIONS		ITEM NO.:	TF1165
		DWG. NO.:	1 OF 1