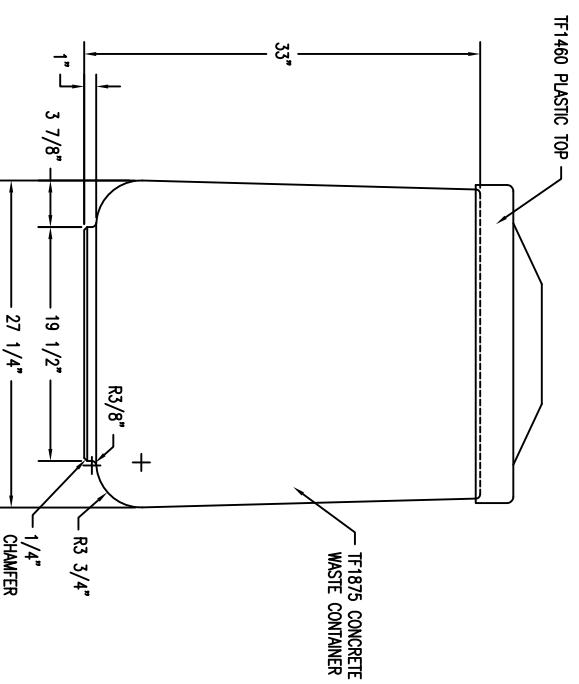
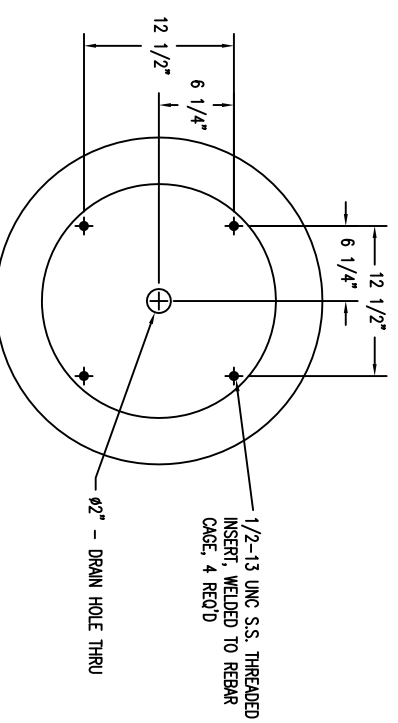


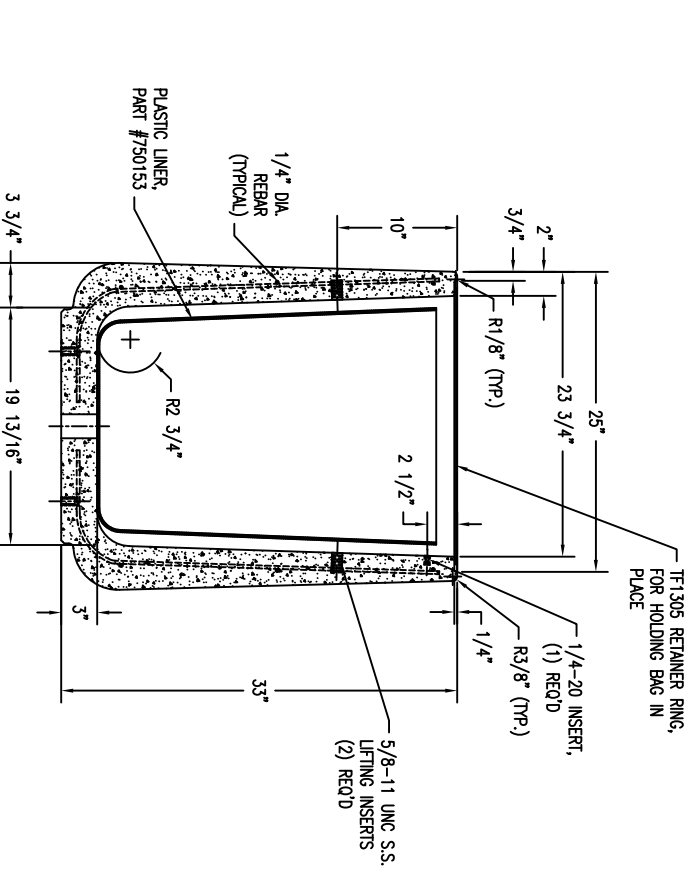
1 TOP VIEW OF TF1160 WASTE CONTAINER  
Scale: 1/8" = 1"



2 ELEVATION VIEW OF TF1160 WASTE CONTAINER  
Scale: 1/8" = 1"



3 BOTTOM VIEW OF TF1160 WASTE CONTAINER  
Scale: 1/8" = 1"



4 SECTION VIEW OF TF1160 WASTE CONTAINER, WITH OUT LID  
Scale: 1/8" = 1"

<b>WAUSAU TILE</b> P.O. BOX 1520 WAUSAU, WISCONSIN 54982-1520 800/298-8728 E-MAIL: TITLES@WAUSAUTILE.COM WEB SITE: WWW.WAUSAUTILE.COM		DRAWN BY: MAS JOB NO.: LOCATION: MATERIAL: CONCRETE WEIGHT: _____ LBS ITEM NO.: TF1160 DWG. NO.: 1 OF 1
4		
3		
2	ADDED I.D. LINER AND RETAINER RING TO CAN DRAWING TF1875 TO CREATE COMPLETE DRAWING OF TF1160 WASTE CONTAINER	P.A.W. 1/25/11
1		
REVISION	DESCRIPTION	DATE