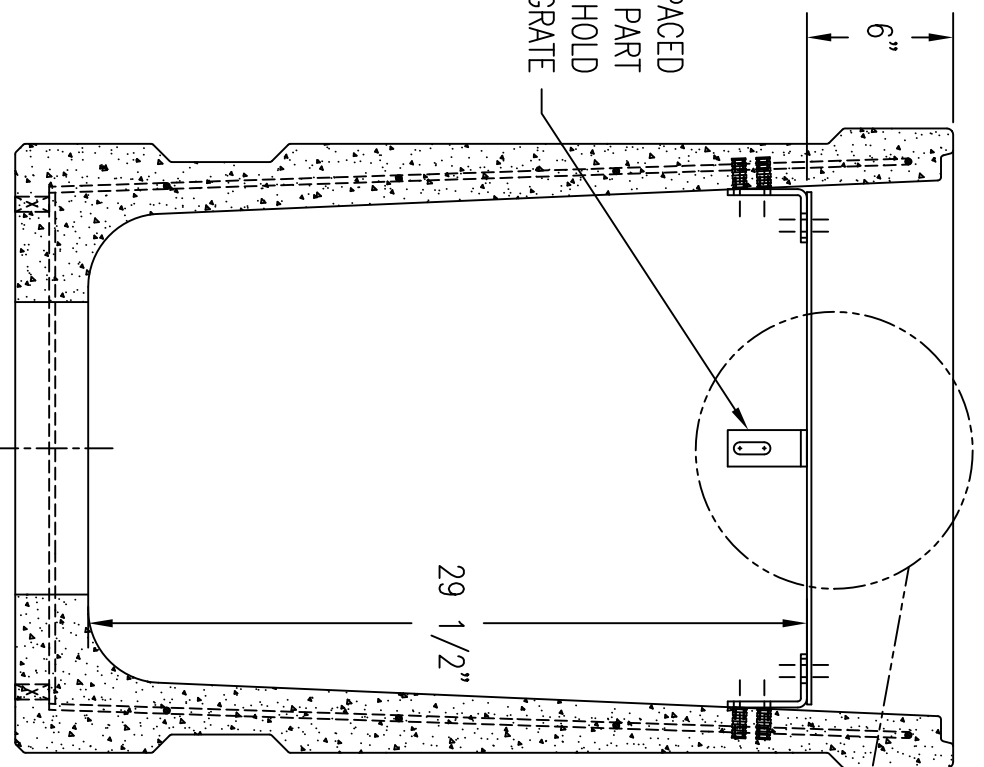
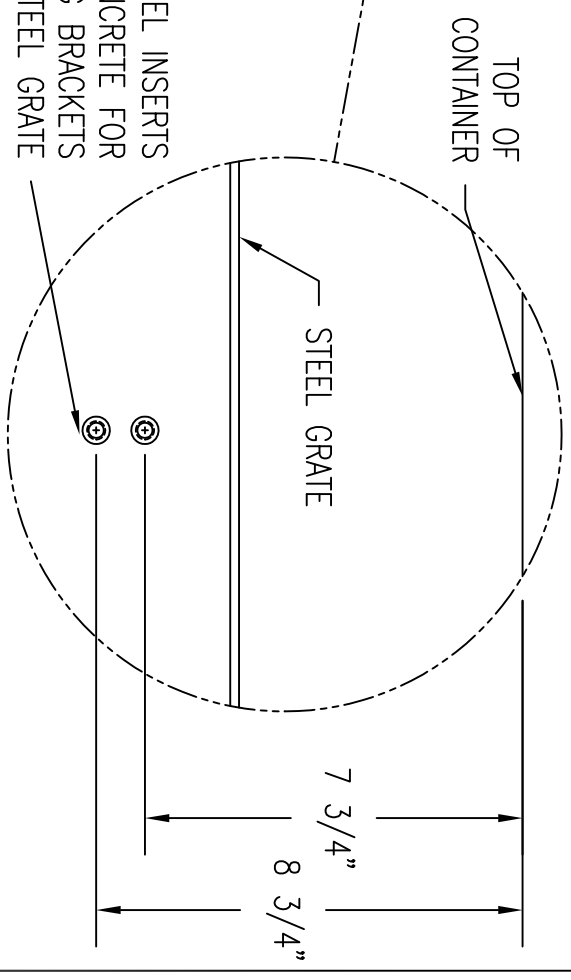


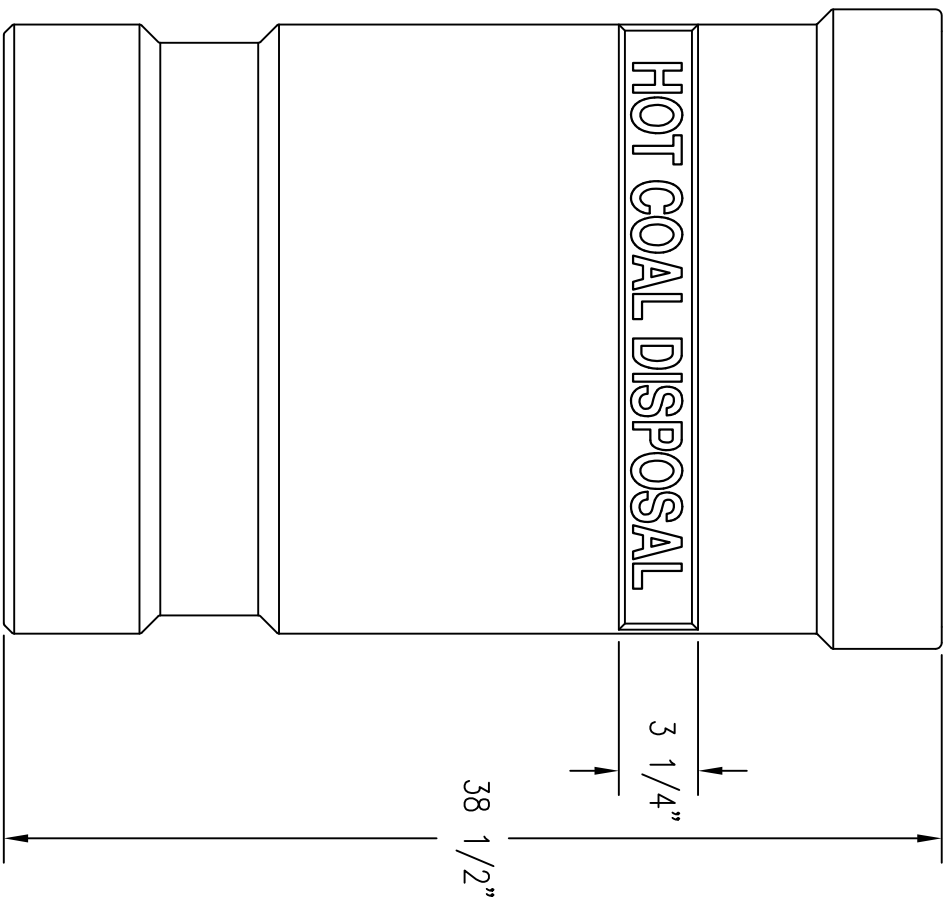
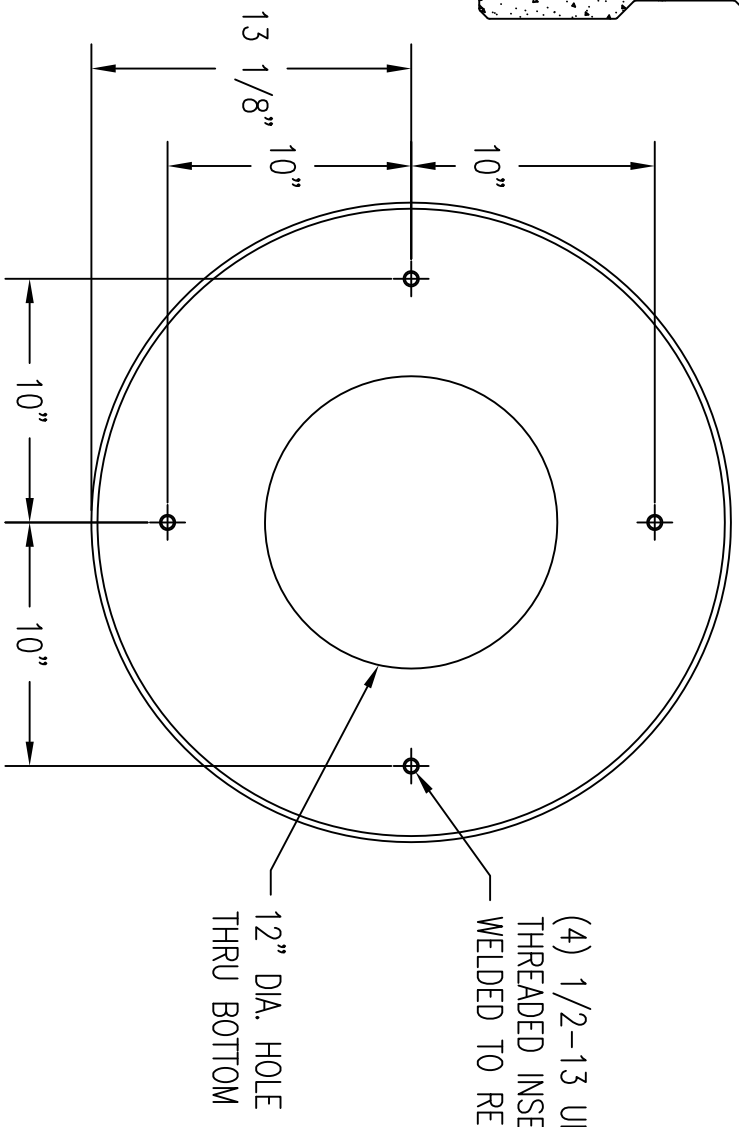
(4) EQUALLY SPACED BRACKETS, PART #700652, TO HOLD STEEL GRATE



(8) 3/8" STEEL INSERTS CAST IN CONCRETE FOR ANCHORING BRACKETS FOR STEEL GRATE



(4) 1/2-13 UNC S/S THREADED INSERTS WELDED TO REBAR



WAUSAU TILE SITE FURNISHINGS

P.O. BOX 1520 WAUSAU, WISCONSIN 54402-1520 800/388-8728
E-MAIL: WTLT@WAUSAUTILE.COM
WEB SITE: WWW.WAUSAUTILE.COM

REVISIONS				DRAWN BY		JOB		MATERIAL	
NO.	DATE	BY	NO.	DATE	BY	LOCATION	WEIGHT	CONCRETE	
1	6/2/10	PAW	4				565 LBS		
2			5						
3			6						

SCALE AS NOTED		JOB NO.		DATE		ITEM NO.	
FINISH OPTIONS						TF1131	
UNLESS OTHERWISE SPECIFIED DIMENSIONS ARE IN INCHES TOLERANCES: ± 1/8"				DATE		DWG. NO.	
				4/23/09		1 OF 1	