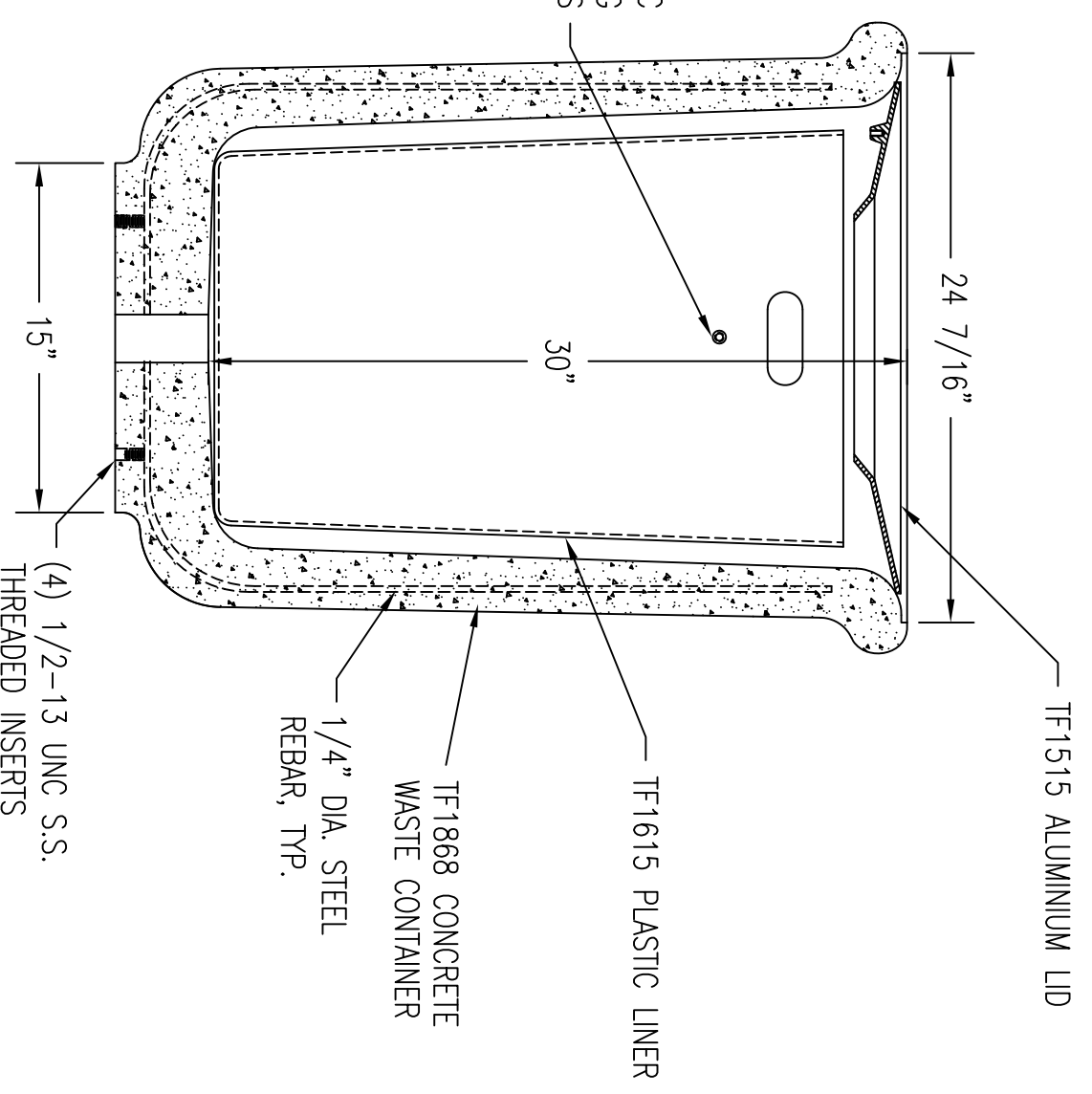


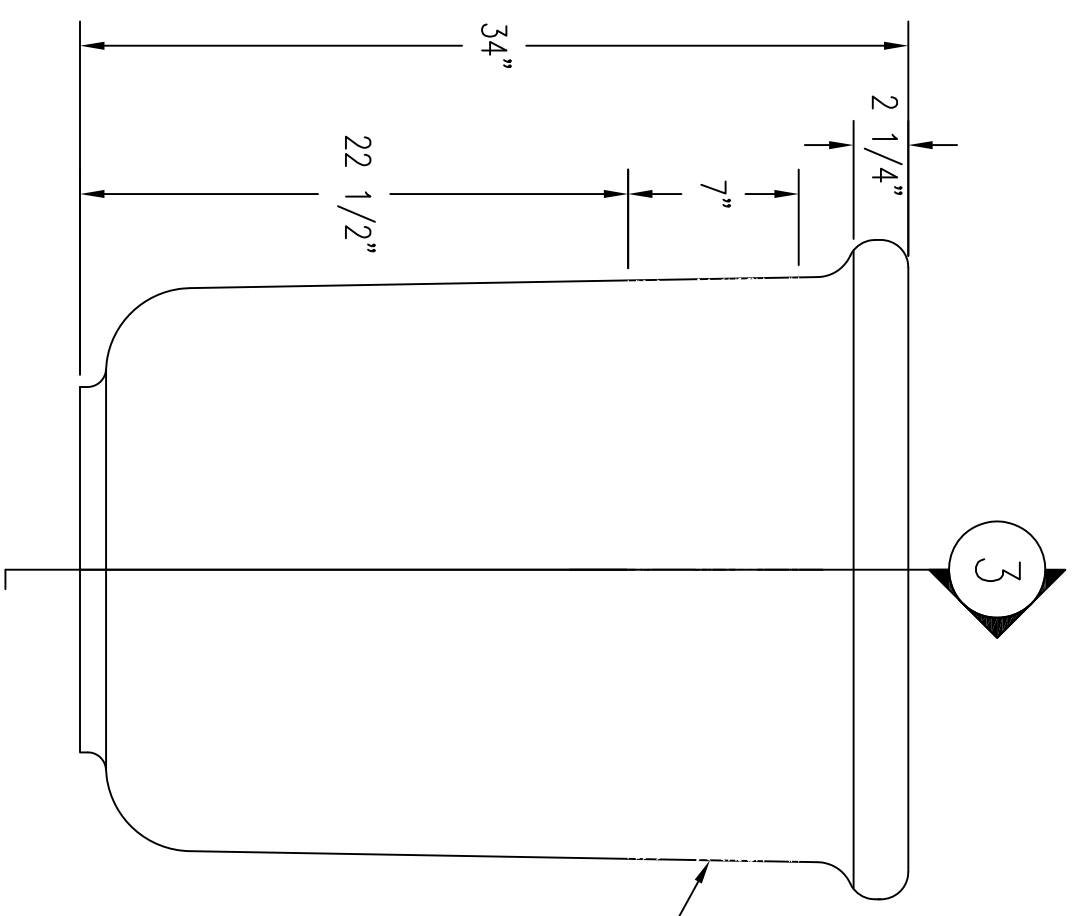
1 TOP VIEW
Scale: 1/8" = 1"

(2) 5/8-11 UNC
THREADED LIFTING
INSERTS



3 SECTION VIEW
Scale: 1/8" = 1"

WESTLAKE II
BAND



2 FRONT ELEVATION VIEW
Scale: 1/8" = 1"

WAUSAU TILE SITE FURNISHINGS

P.O. BOX 1520 WAUSAU, WISCONSIN 54402-1520 800/388-8728
P.O. BOX 967 BANNING, CALIFORNIA 92220 800/231-4836

REVISIONS						DRAWN BY	J.P.Z	JOB	MATERIAL	
NO.	DATE	BY	NO.	DATE	BY	JOB NO.	LOCATION	CONCRETE	WEIGHT	
1			4			SCALE	UNLESS OTHERWISE SPECIFIED DIMENSIONS ARE IN INCHES TOLERANCES: ±1/8"		500 LBS	DATE
2			5			AS NOTED				11/11/11
3			6							FINISH OPTIONS
								ITEM NO.	TF11115	DWG. NO.
										1 OF 1