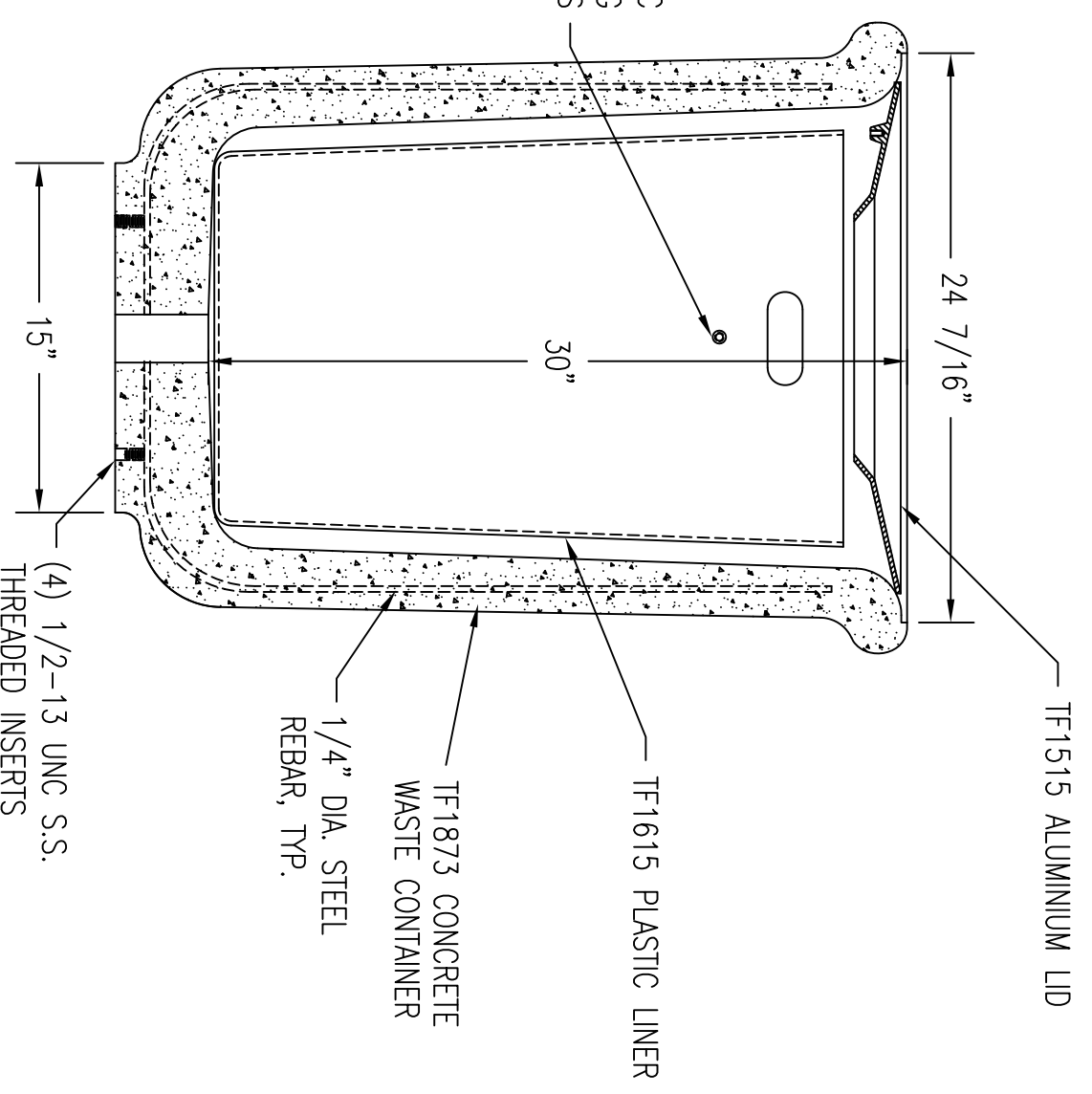
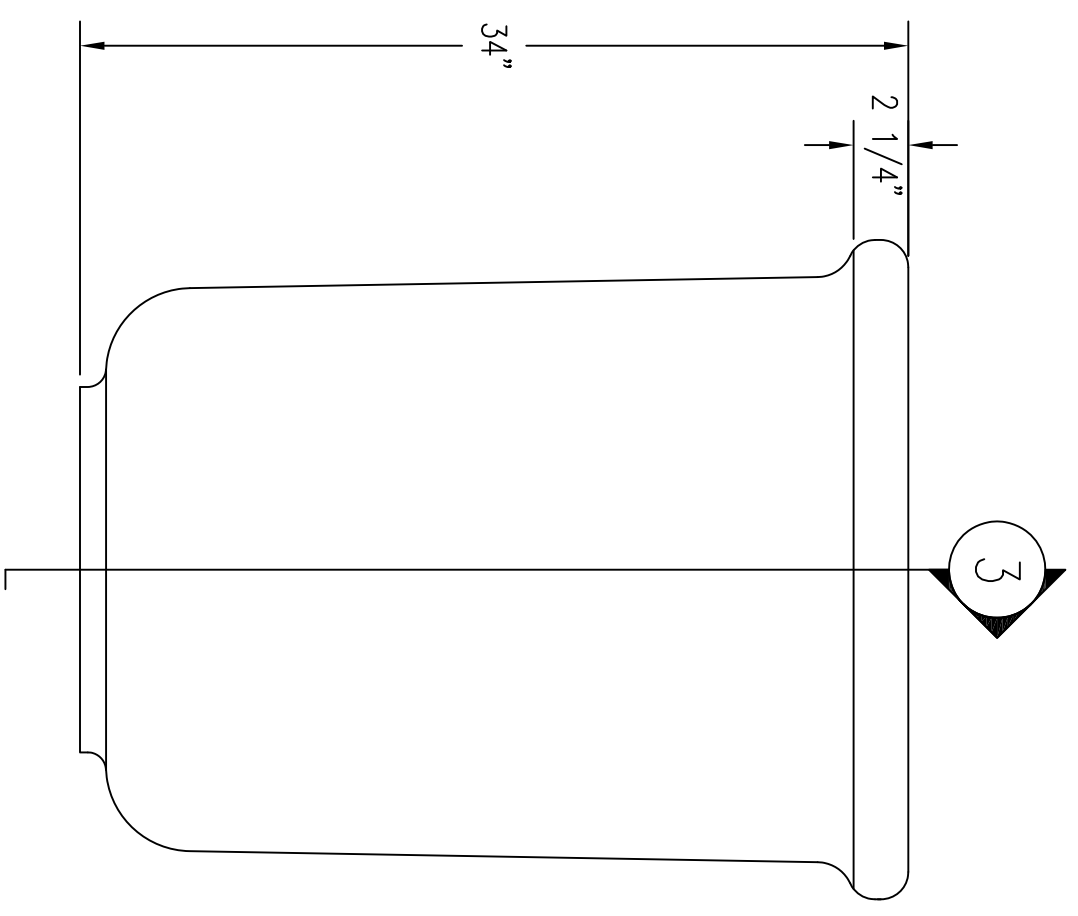


**1** TOP VIEW  
Scale: 1/8" = 1"

(2) 5/8-11 UNC  
THREADED LIFTING  
INSERTS



**3** SECTION VIEW  
Scale: 1/8" = 1"



**2** FRONT ELEVATION VIEW  
Scale: 1/8" = 1"

**WAUSAU TILE SITE FURNISHINGS**

P.O. BOX 1520 WAUSAU, WISCONSIN 54402-1520 800/388-8728  
P.O. BOX 967 BANNING, CALIFORNIA 92220 800/231-4836

REVISIONS						DRAWN BY P.A.W.		JOB		MATERIAL CONCRETE	
NO.	DATE	BY	NO.	DATE	BY	JOB NO.		LOCATION		DATE	WEIGHT
1			4			SCALE		UNLESS OTHERWISE SPECIFIED DIMENSIONS ARE IN INCHES TOLERANCES: ±1/8"		8/3/10	ITEM NO. TF1105
2			5			AS NOTED					DWG. NO. 1 OF 1
3			6								