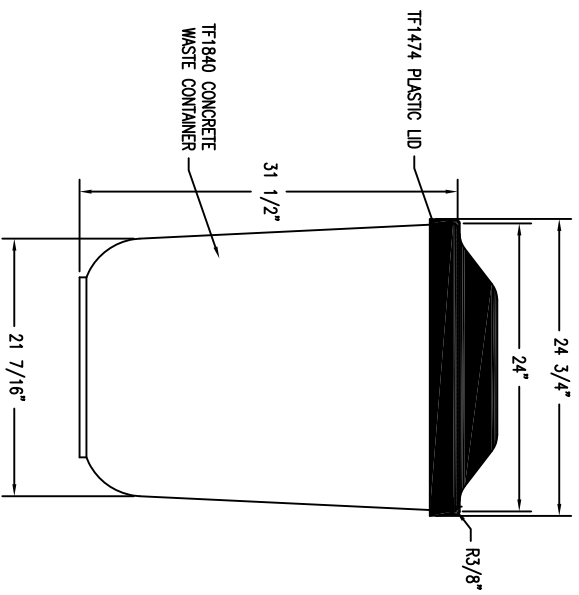
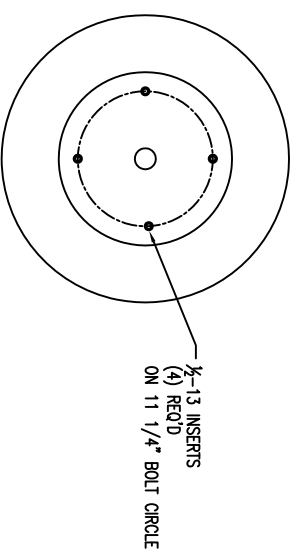


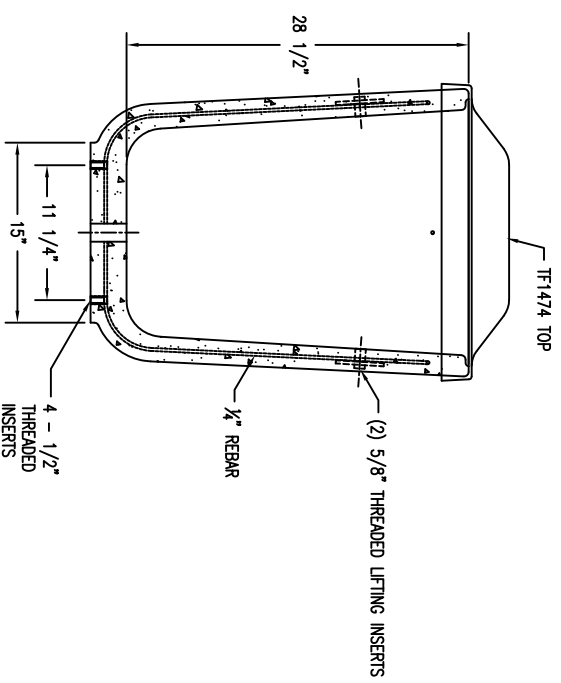
1 TOP VIEW OF TF1840 WASTE CONTAINER  
SHOWN WITHOUT LID  
Scale: 1/8" = 1"



2 ELEVATION VIEW  
Scale: 1/8" = 1"



3 BOTTOM VIEW  
Scale: 1/8" = 1"



4 SECTION VIEW OF WASTE CONTAINER  
SHOWN WITHOUT LID  
Scale: 1/8" = 1"

<b>WAUSAU TILE</b> P.O. BOX 1520 WAUSAU, WISCONSIN 54402-1520 800/298-8728 E-MAIL: TITEL@WAUSAUTILE.COM WEB SITE: WWW.WAUSAUTILE.COM		MATERIAL CONCRETE
DRAWN BY JPZ	JOB LOCATION	WEIGHT 420 LBS
JOB NO.	UNLESS OTHERWISE SPECIFIED DIMENSIONS ARE IN INCHES TOLERANCES ±1/8"	ITEM NO. TF1083
SCALE AS NOTED	DATE 11/3/11	DWG. NO. 1 OF 1
REVISION	DESCRIPTION	DRAWN BY
1	1	DATE
2	2	CHECKED
3	3	FIRST CHECKS
4	4	DATE