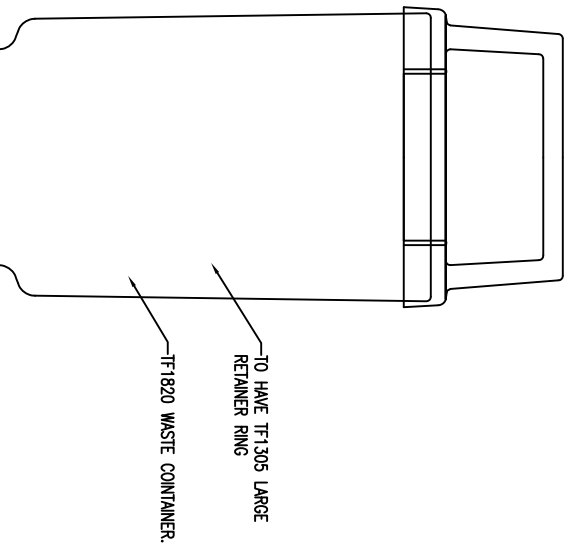
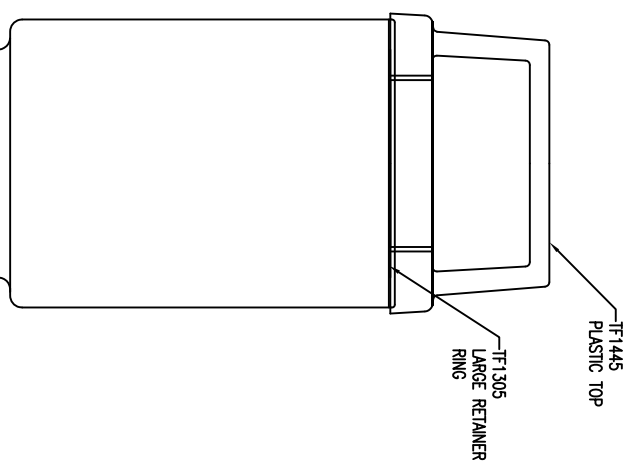


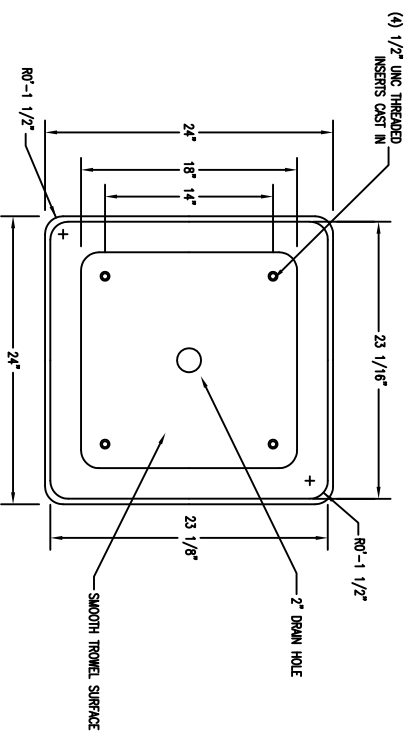
1 TOP VIEW  
Scale: 1/8" = 1"



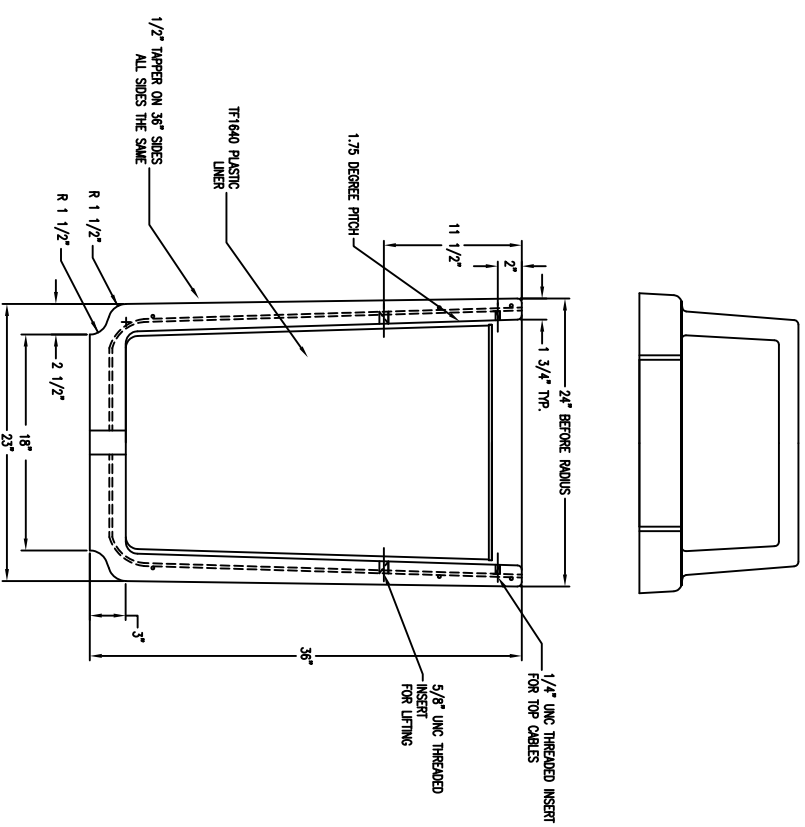
2 FRONT VIEW  
Scale: 1/8" = 1"



4 ELEVATION VIEW  
Scale: 1/8" = 1"



BOTTOM VIEW CONTAINER  
Scale: 1/8" = 1"  
3 BOTTOM VIEW  
Scale: 1/8" = 1"



5 SECTION VIEW  
Scale: 1/8" = 1"

REVISION	DESCRIPTION	DRAWN BY	DATE
4			
3			
2			
1			

<b>WAUSAU TILE</b>		P.O. BOX 1520 WAUSAU, WISCONSIN 54402-1520 800/298-8728	
E-MAIL: <a href="mailto:WAUSAUTILE@WAUSAUTILE.COM">WAUSAUTILE@WAUSAUTILE.COM</a>		WEB SITE: <a href="http://WWW.WAUSAUTILE.COM">WWW.WAUSAUTILE.COM</a>	
DRAWN BY: JPZ	JOB:	MATERIAL:	CONCRETE
JOB NO.:	LOCATION:	WEIGHT:	615 LBS.
SCALE: AS NOTED	UNLESS OTHERWISE SPECIFIED DIMENSIONS ARE IN INCHES TOLERANCES ±1/8"	DATE:	10/13/11
FINISH OPTIONS:		ITEM NO.:	TF1040M
		QTY.:	1 OF 1