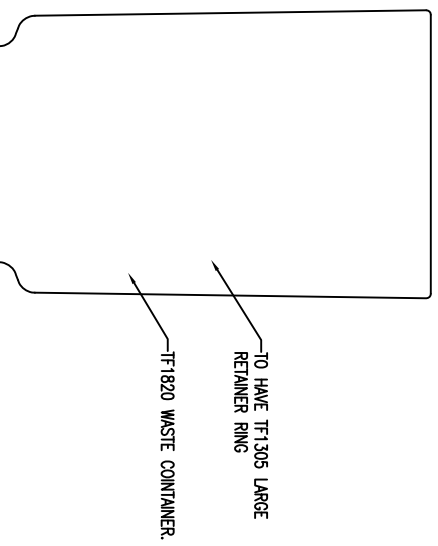
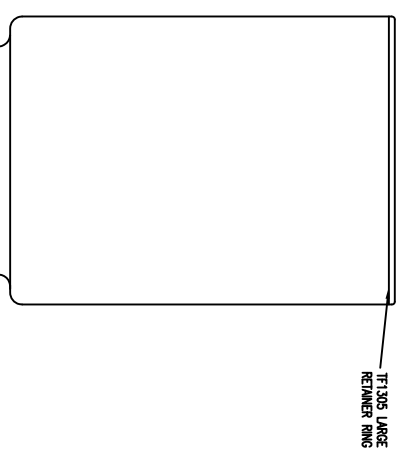


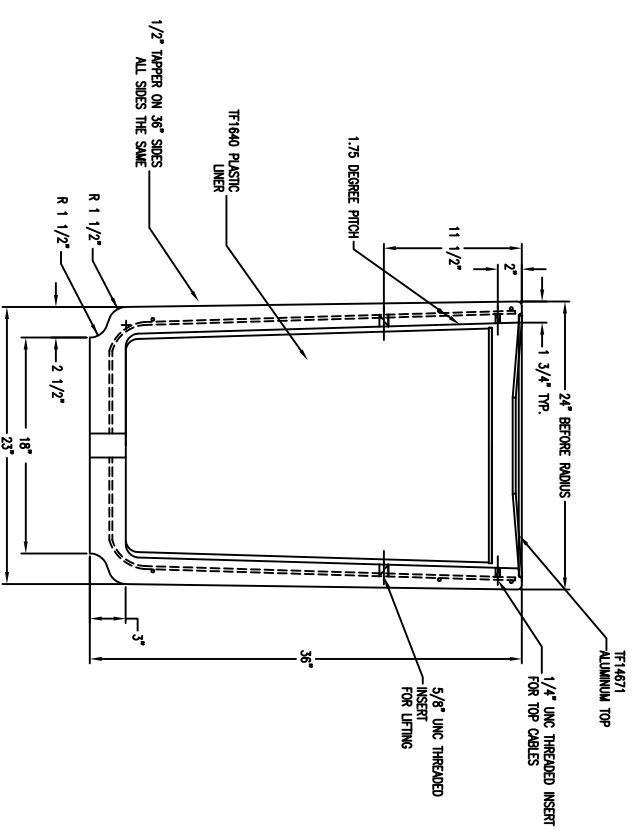
1 TOP VIEW
Scale: 1/8" = 1"



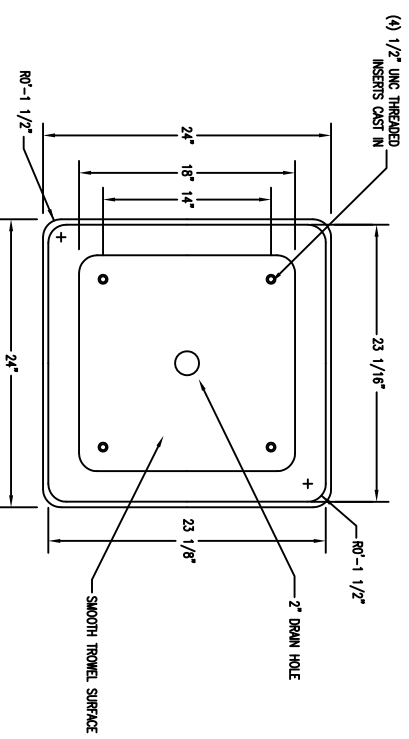
2 FRONT VIEW
Scale: 1/8" = 1"



4 ELEVATION VIEW
Scale: 1/8" = 1"



5 SECTION VIEW
Scale: 1/8" = 1"



BOTTOM VIEW CONTAINER
SCALE: 1/8" = 1"
3 BOTTOM VIEW
Scale: 1/8" = 1"

REVISION	DESCRIPTION	DRAWN BY	DATE
1			
2			
3			
4			

WAUSAU TILE		P.O. BOX 1520 WAUSAU, WISCONSIN 54485-1520 800/298-8728	
E-MAIL: WILSON@WAUSAUTILE.COM		WEB SITE: WWW.WAUSAUTILE.COM	
DRAWN BY: JPZ	JOB:	MATERIAL:	CONCRETE
JOB NO.:	LOCATION:	WEIGHT:	615 LBS.
SCALE: AS NOTED	UNLESS OTHERWISE SPECIFIED DIMENSIONS ARE IN INCHES TOLERANCES ±1/8"	DATE:	10/13/11
FINISH OPTIONS:		ITEM NO.:	TF1030M
		QTY.:	1 OF 1