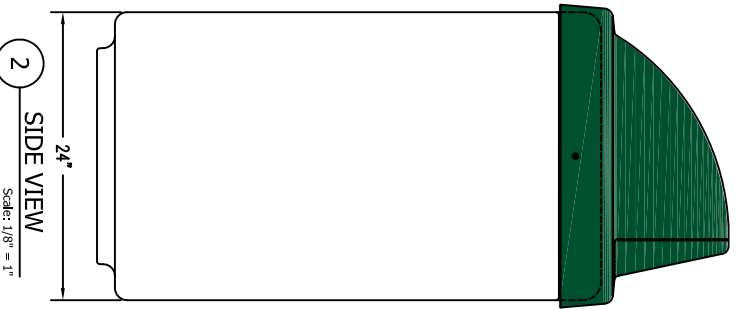
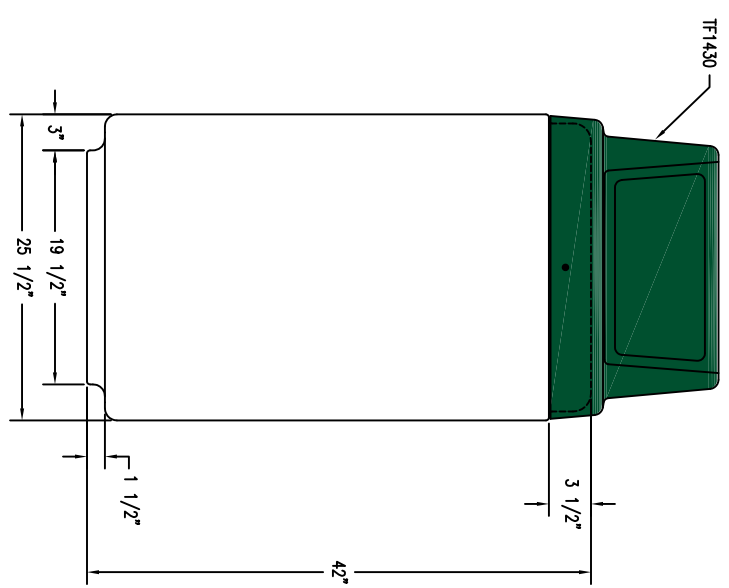


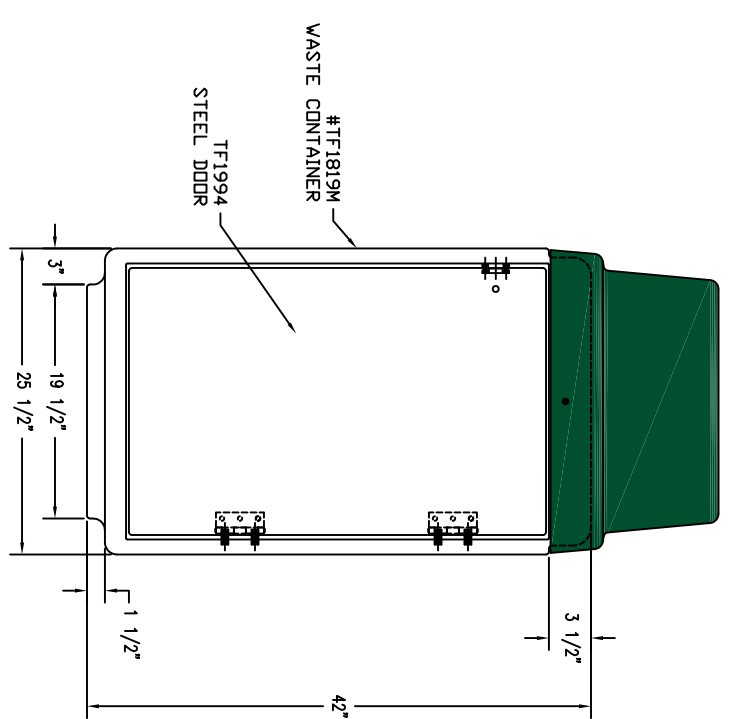
1 TOP VIEW OF CONCRETE CAN WITH OUT LID
Scale: 1/8" = 1"



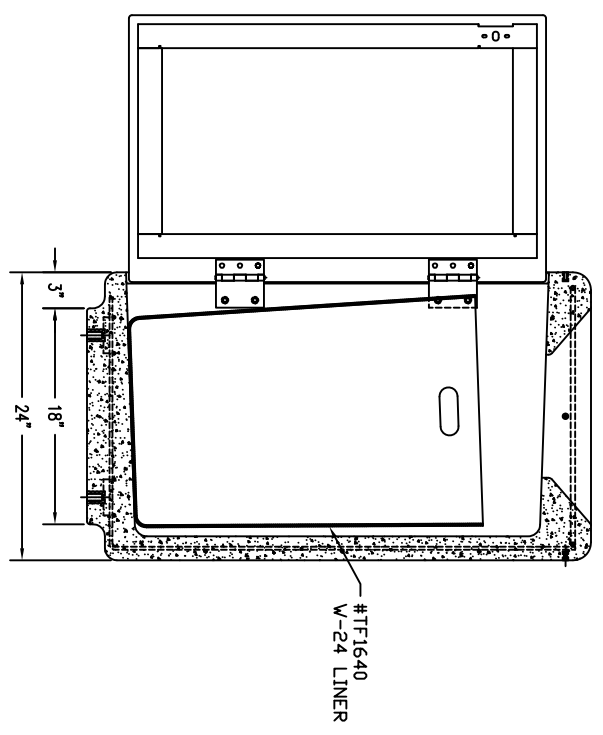
2 SIDE VIEW
Scale: 1/8" = 1"



3 FRONT VIEW
Scale: 1/8" = 1"



4 BACK VIEW
Scale: 1/8" = 1"



5 SECTION VIEW
Scale: 1/8" = 1"

REVISIONS						DRAWN BY		JOB		MATERIAL	
NO.	DATE	BY	NO.	DATE	BY	J.P.Z	LOCATION	WEIGHT	CONCRETE		
1			4			J.P.Z			DATE	ITEM NO.	
2			5						10/13/11	TF1029	
3			6							DWG. NO.	
										1 OF 1	

WAUSAU TILE SITE FURNISHINGS

P.O. BOX 1520 WAUSAU, WISCONSIN 54402-1520 800/298-8728
E-MAIL: TITEL@WAUSAUTILE.COM
WEB SITE: WWW.WAUSAUTILE.COM

JOB NO.		JOB NO.		JOB NO.	
SCALE		SCALE		SCALE	
UNLESS OTHERWISE SPECIFIED		UNLESS OTHERWISE SPECIFIED		UNLESS OTHERWISE SPECIFIED	
DIMENSIONS ARE IN INCHES		DIMENSIONS ARE IN INCHES		DIMENSIONS ARE IN INCHES	
TOLERANCES ± 1/8"		TOLERANCES ± 1/8"		TOLERANCES ± 1/8"	