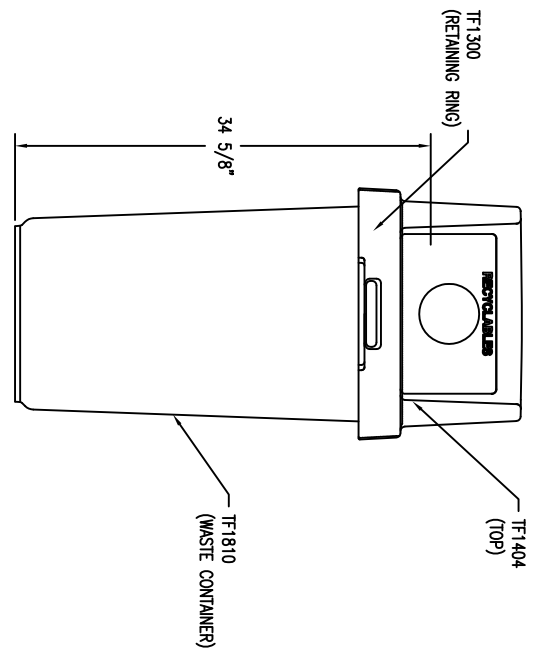
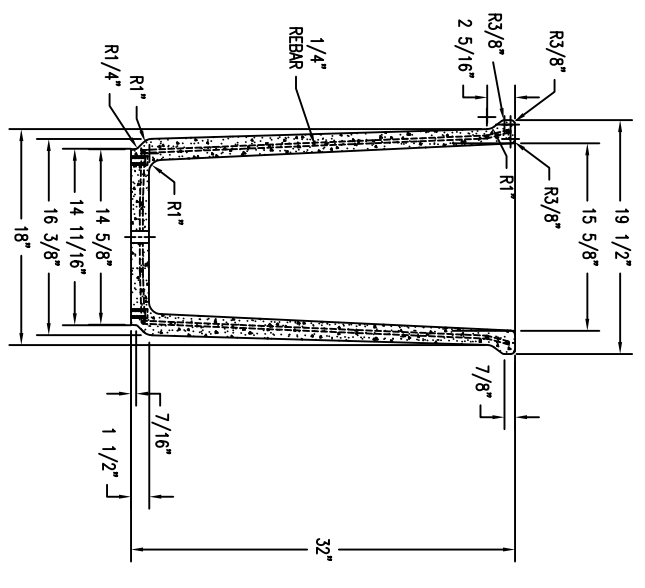


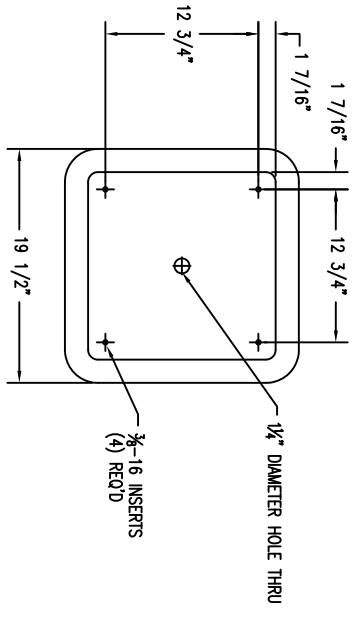
TOP VIEW



ELEVATION VIEW



SECTION VIEW



BOTTOM VIEW

REVISIONS						DRAWN BY		JOB		MATERIAL	
NO.	DATE	BY	NO.	DATE	BY	TITLE	JPZ	JOB NO.	CONCRETE	WEIGHT	FINISH OPTIONS
1			4			SCALE 1/8" = 1"		UNLESS OTHERWISE SPECIFIED DIMENSIONS ARE IN INCHES		280 LBS	A,B,C,G,T
2			5					FRANKS 3057			
3			6					FRANKS 314			
								2 FT. 5.000			
								3 FT. 5.000			

WAUSAU TILE SITE FURNISHINGS

P.O. BOX 1520 WAUSAU, WISCONSIN 54982-1520 800/298-8728
 E-MAIL: TITEL@WAUSAUTILE.COM
 WEB SITE: WWW.WAUSAUTILE.COM

DATE: 10/13/11
 DWG. NO.: TF1028