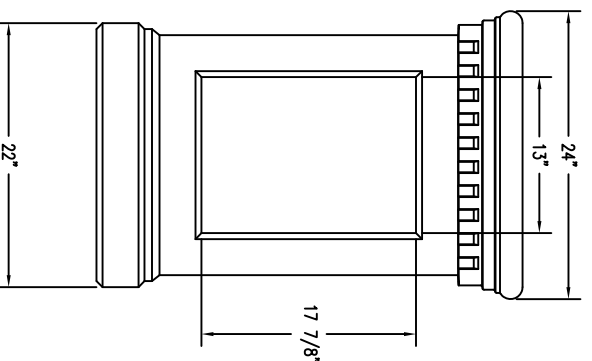
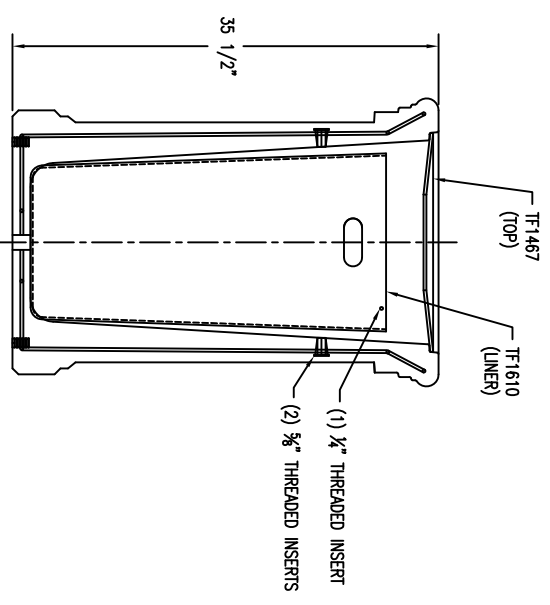


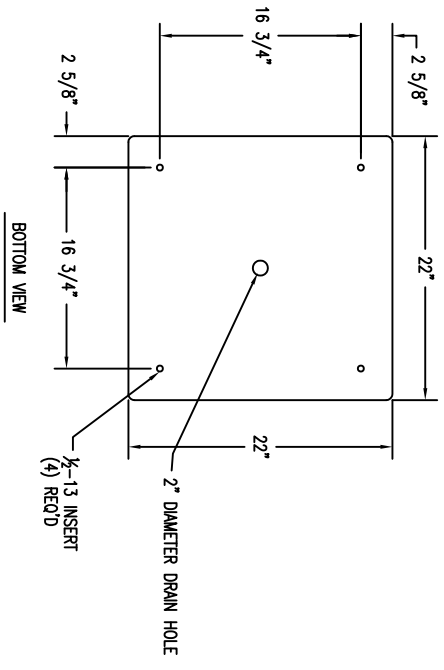
PLAN VIEW



ELEVATION VIEW



SECTION VIEW



BOTTOM VIEW

WAUSAU TILE P.O. BOX 1520 WAUSAU, WISCONSIN 54402-1520 800/298-8728 E-MAIL: TILES@WAUSAUTILE.COM WEB SITE: WWW.WAUSAUTILE.COM		DRAWN BY: MAS JOB NO.: SCALE: 1/8" = 1" DATE: 11/16/07 ITEM NO.: DWG. NO.: TF1022
4 3 2 1 REVISION	DESCRIPTION CHANGED DRAIN HOLE SIZE	DRAWN BY: JPZ DATE: 10/11/11
MATERIAL: CONCRETE WEIGHT: 640 LBS	UNLESS OTHERWISE SPECIFIED DIMENSIONS ARE IN INCHES TOLERANCES: ±1/8"	FINISH OPTIONS