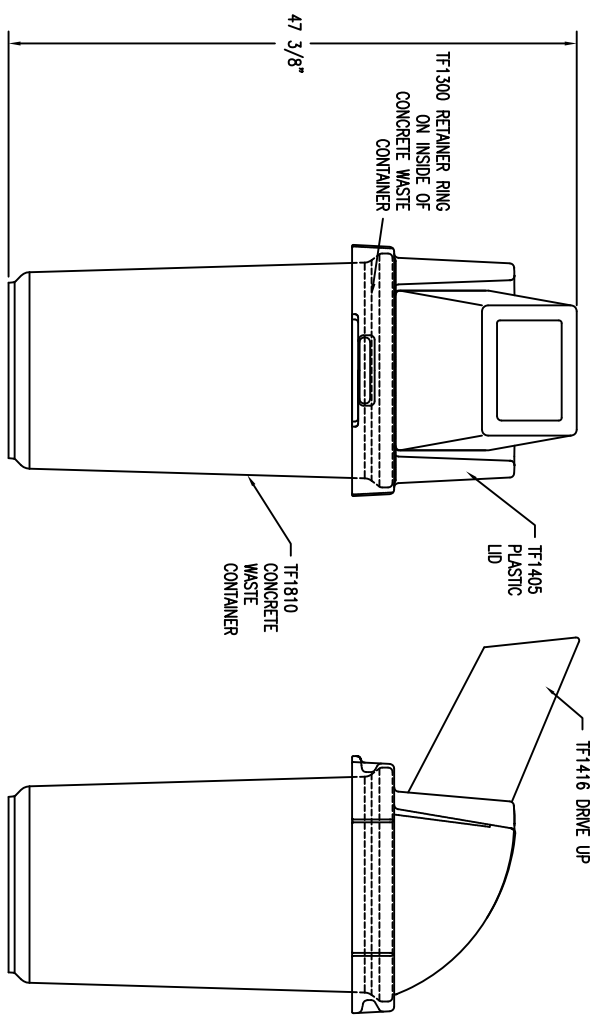
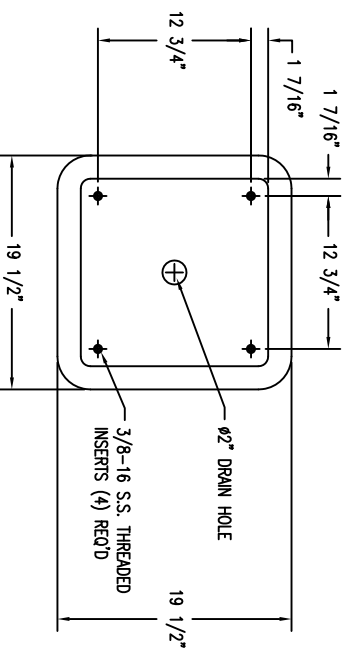


1 TOP VIEW  
Scale: 1/8" = 1"

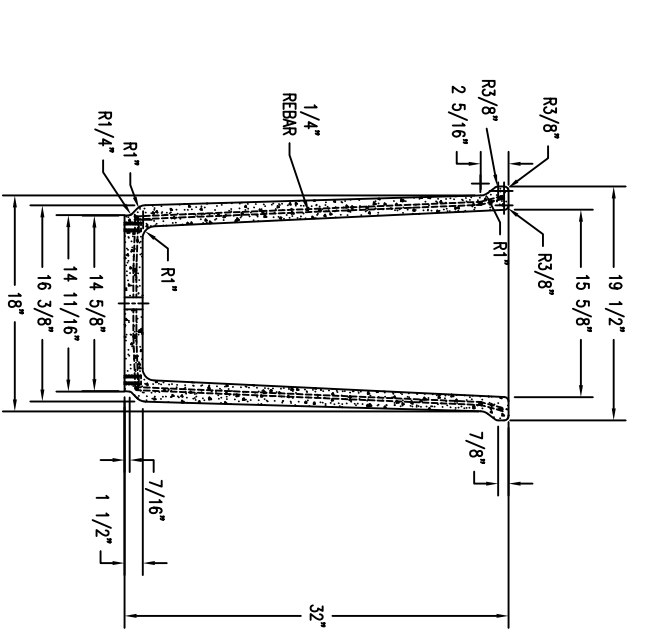


2 ELEVATION VIEW  
Scale: 1/8" = 1"

3 ELEVATION VIEW  
Scale: 1/8" = 1"



4 BOTTOM VIEW OF TF-1810 WASTE CONTAINER  
Scale: 1/8" = 1"



6 SECTION VIEW OF TF-1810 WASTE CONTAINER  
Scale: 1/8" = 1"

<b>WAUSAU TILE</b> P.O. BOX 1520 WAUSAU, WISCONSIN 54402-1520 800/298-8728 E-MAIL: TILE@WAUSAUTILE.COM WEB SITE: WWW.WAUSAUTILE.COM		DRAWN BY: JPZ JOB NO.: SCALE: AS NOTED DATE: 10/7/11 ITEM NO.: DWG. NO.: TF1021
4 3 2 1 REVISION	DESCRIPTION	DRAWN BY: DATE
MATERIAL: CONCRETE WEIGHT: 280 LBS	JOB LOCATION: UNLESS OTHERWISE SPECIFIED DIMENSIONS ARE IN INCHES TOLERANCES: ±1/8"	FINISH OPTIONS