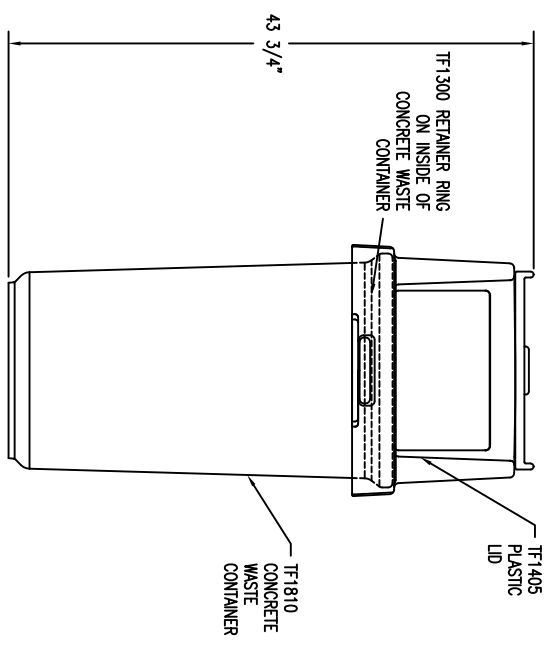
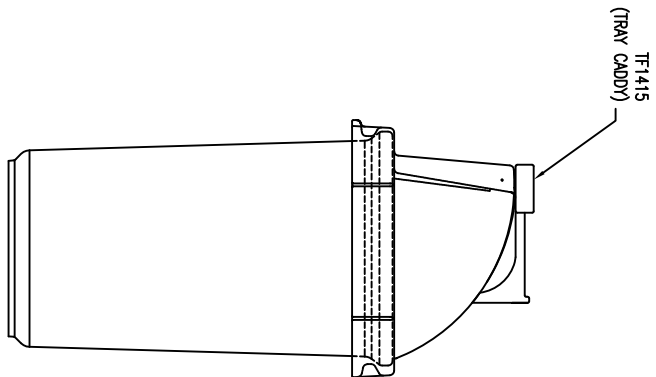


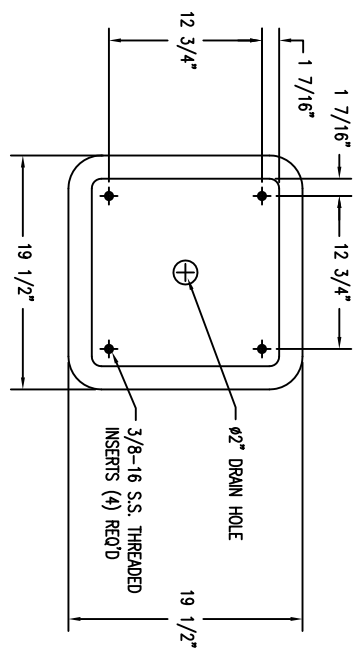
1 TOP VIEW  
Scale: 1/8" = 1"



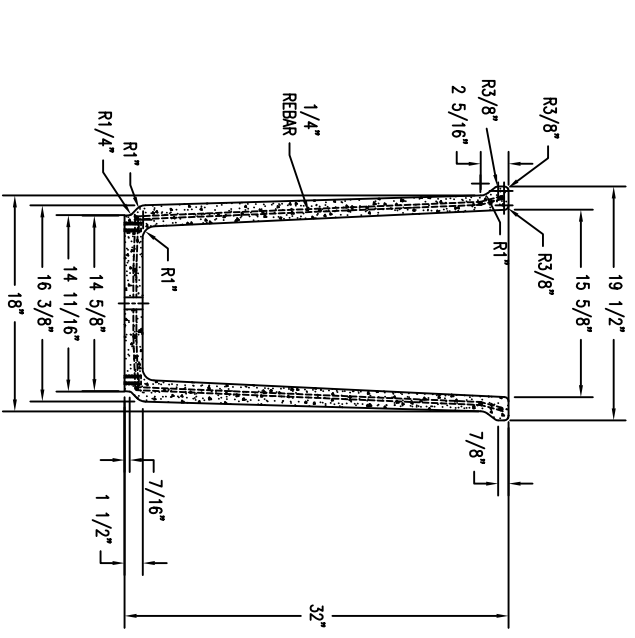
2 ELEVATION VIEW  
Scale: 1/8" = 1"



3 ELEVATION VIEW  
Scale: 1/8" = 1"



4 BOTTOM VIEW OF TF1810 WASTE CONTAINER  
Scale: 1/8" = 1"



6 SECTION VIEW OF TF1810 WASTE CONTAINER  
Scale: 1/8" = 1"

		<b>WAUSAU TILE</b>		P.O. BOX 1520 WAUSAU, WISCONSIN 54402-1520 800/298-8728	
		DRAWN BY JPZ		E-MAIL: TILE@WAUSAUTILE.COM	
		JOB NO.		WEB SITE: WWW.WAUSAUTILE.COM	
		SCALE AS NOTED		JOB LOCATION	
		DATE 10/7/11		UNLESS OTHERWISE SPECIFIED DIMENSIONS ARE IN INCHES TOLERANCES ±1/8"	
		DRAWN BY		DATE	
		DESCRIPTION		MATERIAL	
		REVISION		WEIGHT	
				280 LBS	
				ITEM NO.	
				DWG. NO. TF1020	