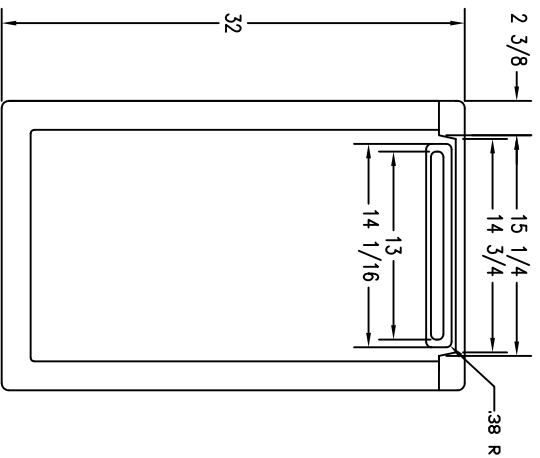
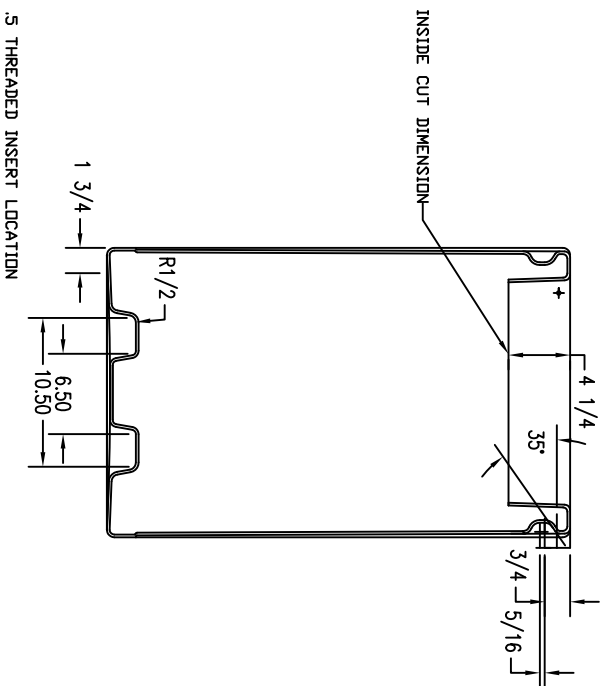


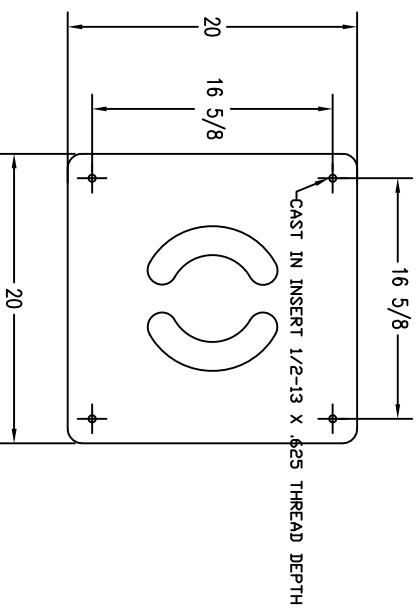
TOP VIEW CONTAINER



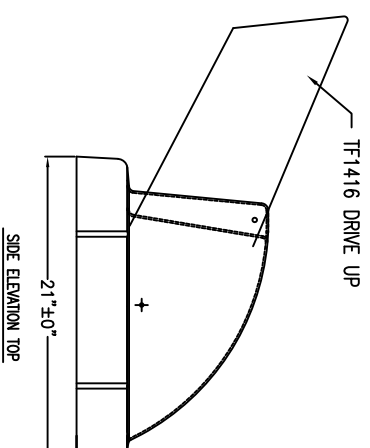
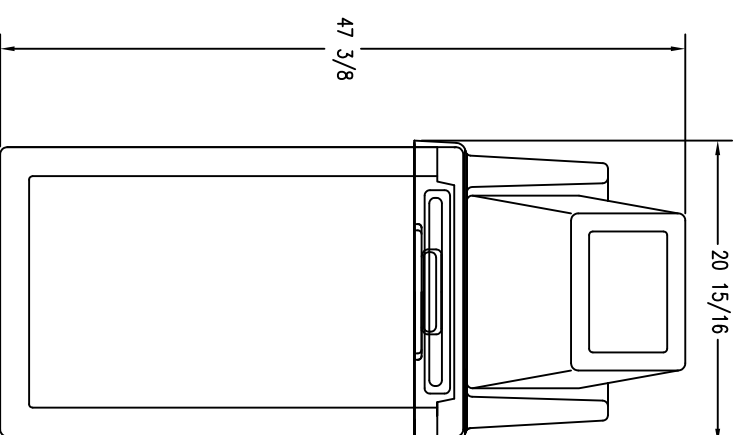
ELEVATION VIEW CONTAINER



SECTION VIEW CONTAINER



BOTTOM VIEW CONTAINER



TF1405 PLASTIC TOP

WAUSAU TILE SITE FURNISHINGS						DRAWN BY L.B.C.		JOB NO.		MATERIAL	
NO.	DATE	BY	NO.	DATE	BY	TITLE	SCALE	DATE	REVISIONS	DATE	BY
1			4					5-4-08			
2			5								
3			6								

WAUSAU TILE SITE FURNISHINGS
 701 5th St. Wausau, WI 54981
 715.839.4400
 FAX 715.839.4405

MATERIAL: TF1018
 DIMS. NO.: TF1018