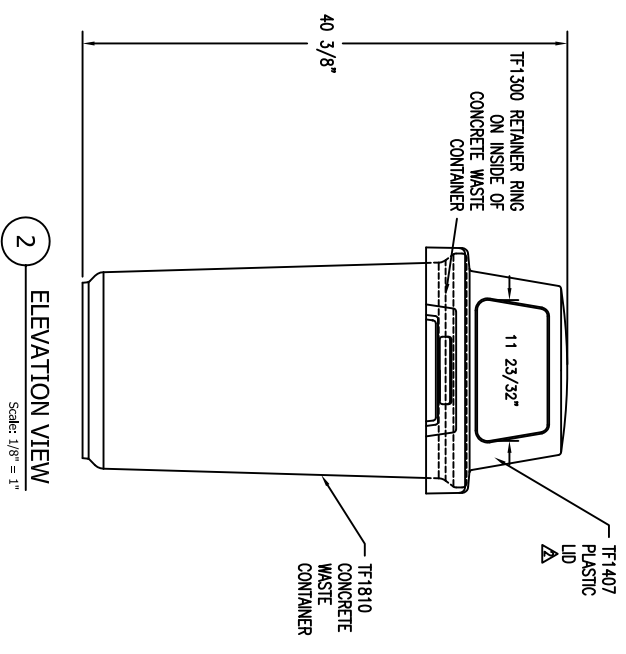
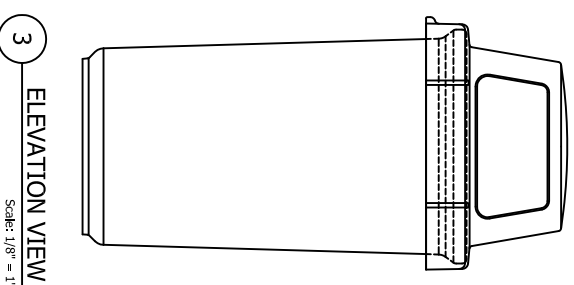


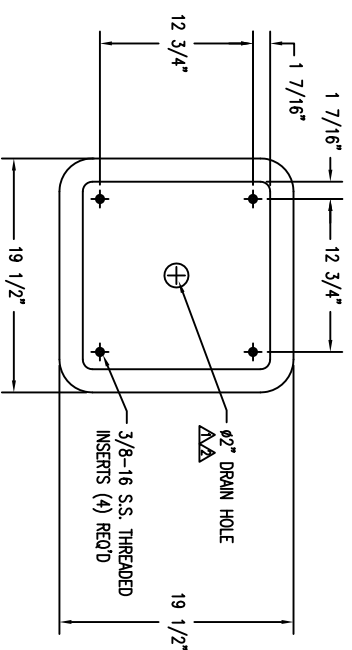
1 TOP VIEW
Scale: 1/8" = 1"



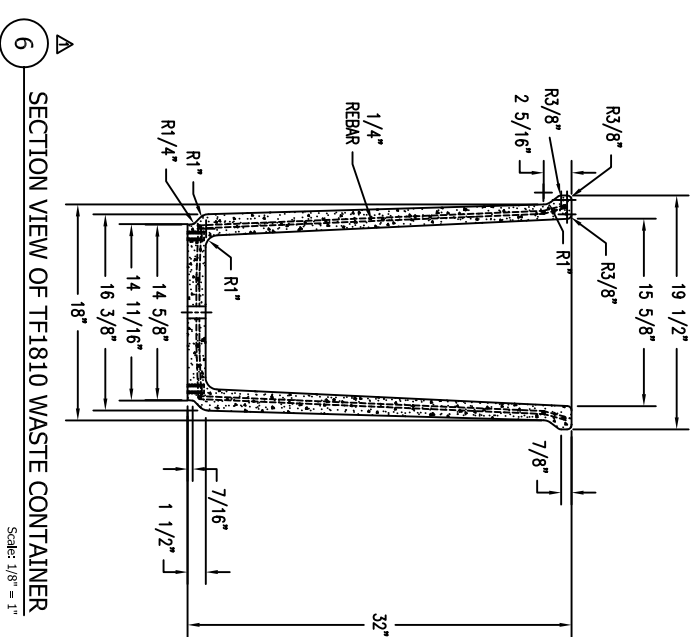
2 ELEVATION VIEW
Scale: 1/8" = 1"



3 ELEVATION VIEW
Scale: 1/8" = 1"



4 BOTTOM VIEW OF TF-1810 WASTE CONTAINER
Scale: 1/8" = 1"



6 SECTION VIEW OF TF-1810 WASTE CONTAINER
Scale: 1/8" = 1"

4									
3									
2	CHANGED HOOD AND DRAIN HOLE TO 2" DIA	JPZ	10/7/11						
1	CHANGED DRAIN HOLE SIZE TO 1" DIA. & ADDED SECTION VIEW OF WASTE CONTAINER	PAW	3/9/11						
REVISION	DESCRIPTION	DRAWN BY	DATE						

WAUSAU TILE		P.O. BOX 1520 WAUSAU, WISCONSIN 54402-1520 800/298-8728	
DRAWN BY: MAS		E-MAIL: TITEL@WAUSAUTILE.COM	
JOB NO.:		WEB SITE: WWW.WAUSAUTILE.COM	
SCALE: AS NOTED	JOB LOCATION:	DATE: 12/06/07	ITEM NO.:
UNLESS OTHERWISE SPECIFIED DIMENSIONS ARE IN INCHES TOLERANCES: ±1/8"			ITEM NO.:
			DWG. NO. TF1016