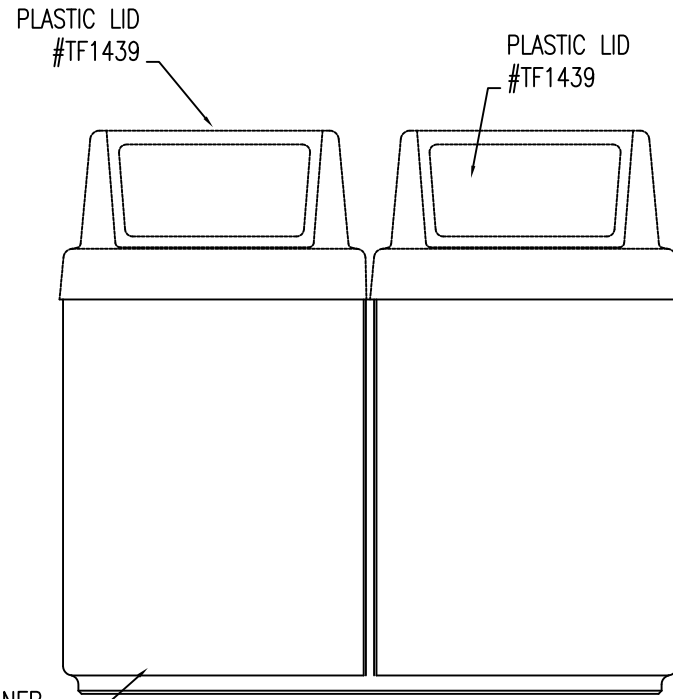
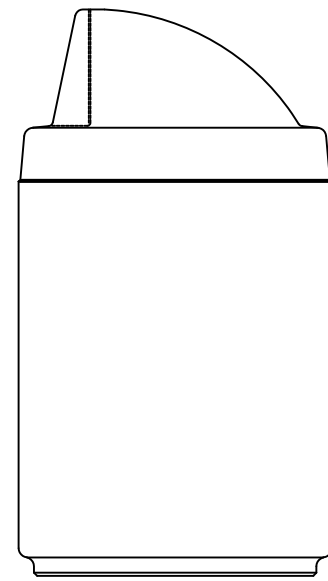


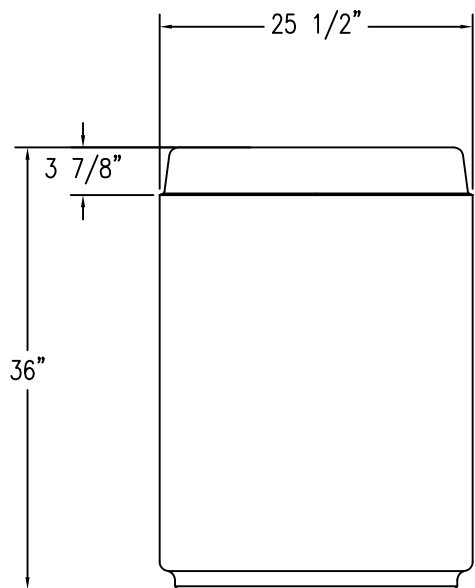
**1 LEFT SIDE**  
Scale: 1/16" = 1"



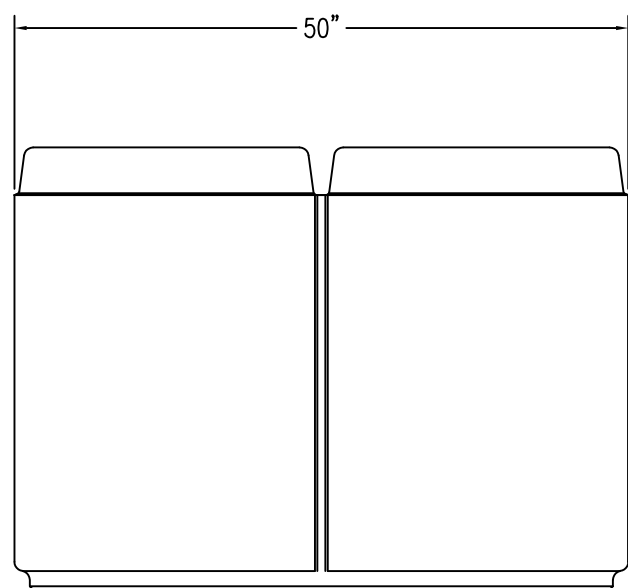
**2 FRONT SIDE**  
Scale: 1/16" = 1"



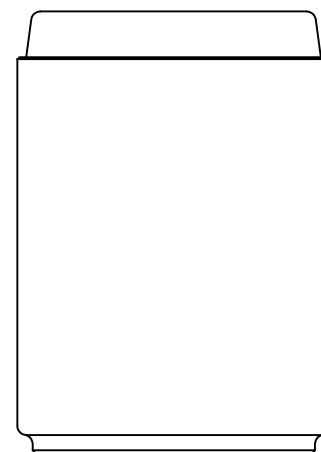
**3 RIGHT SIDE**  
Scale: 1/16" = 1"



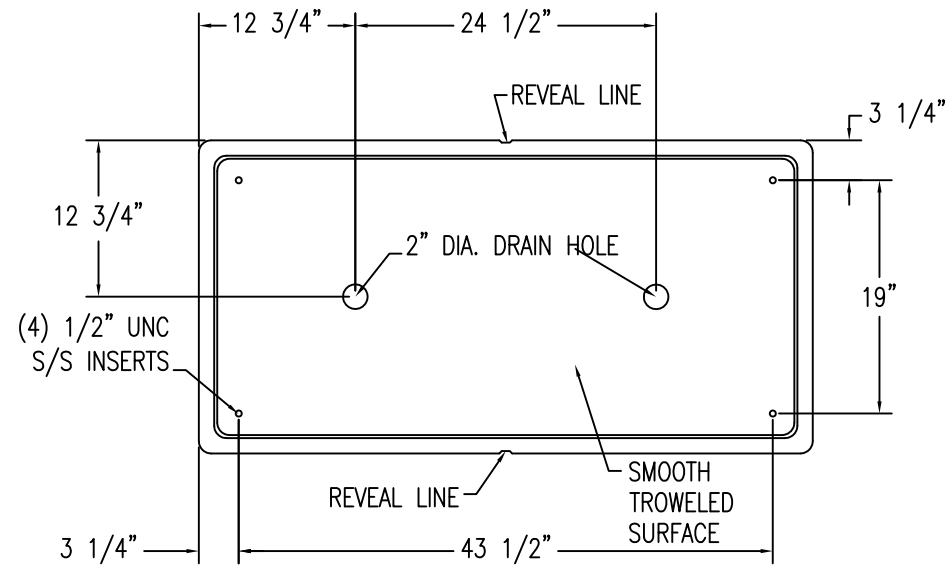
**4 DETAIL OF LEFT SIDE**  
Scale: 1/16" = 1"



**5 DETAIL OF FRONT SIDE**  
Scale: 1/16" = 1"



**6 DETAIL RIGHT SIDE**  
Scale: 1/16" = 1"



**7 BOTTOM VIEW**  
Scale: 1/16" = 1"

SIGN BELOW IF DRAWINGS ARE APPROVED W/ MARKED CHANGES

APPROVED: \_\_\_\_\_

DATE: \_\_\_\_\_

(SIGNATURE ABOVE ILLUSTRATES ACCEPTANCE OF DIMENSIONS SHOWN.)



P.O. BOX 1520 WAUSAU, WI 54402-1520  
800-388-8728  
E-MAIL: WTILE@WAUSAUTILE.COM  
WEB SITE: WWW.WAUSAUTILE.COM

REVISIONS

NO.	NAME	DATE	NOTES
1	---	---	---
2	---	---	---
3	---	---	---
4	---	---	---
5	---	---	---
6	---	---	---
7	---	---	---
8	---	---	---

**CONFIDENTIAL INFORMATION**  
THESE DRAWING, SPECIFICATIONS AND OTHER INFORMATION AND DOCUMENTS ACCOMPANYING THEM ARE THE CONFIDENTIAL AND PROPRIETARY PROPERTY OF WAUSAU TILE, INC. THE DRAWINGS THEMSELVES SHALL BELONG TO THE OWNER FOR USE ONLY ON THE PROJECT. ANY ADDITIONAL USE SHALL REQUIRE THE PRIOR WRITTEN APPROVAL OF WAUSAU TILE, INC. THE PROPRIETARY INFORMATION CONTAINED WITHIN THE DRAWINGS AND THE DOCUMENTS IS AND SHALL REMAIN THE SOLE PROPERTY OF WAUSAU TILE, INC

WAUSAU TILE INC

WAUSAU, WI

UNLESS OTHERWISE SPECIFIED DIMENSIONS ARE IN INCHES FRACTIONS ± 1/8"

DRAWN BY: TAS

DATE: 3/15/17

MATERIAL:

JOB NUMBER: ?

WEIGHT: 1648 LBS

SHEET NO.

TF1007