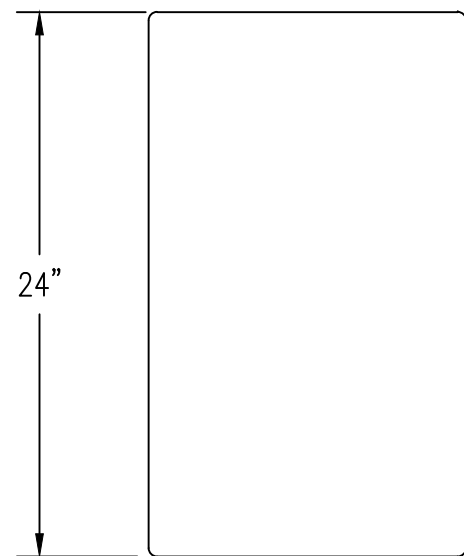
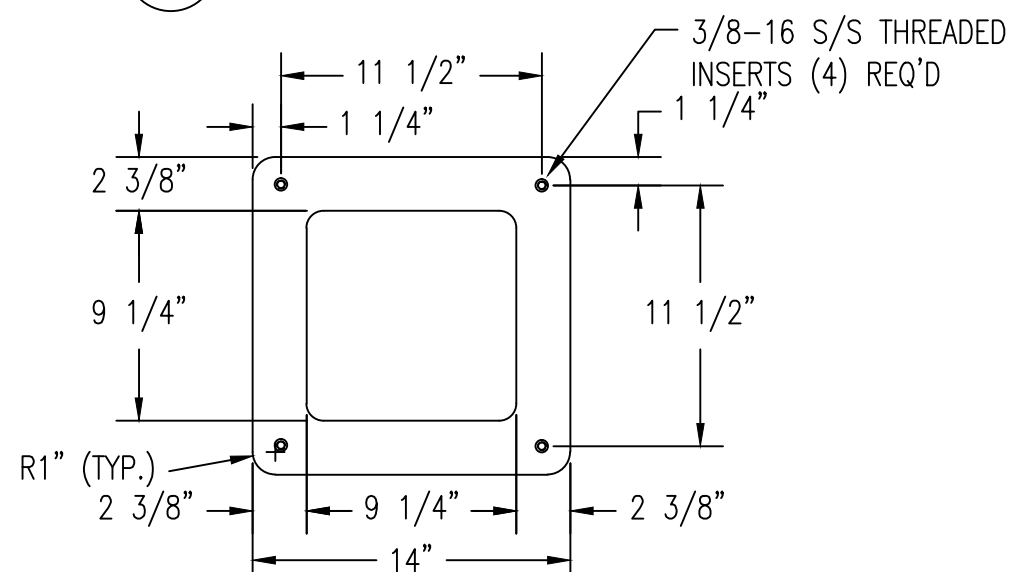


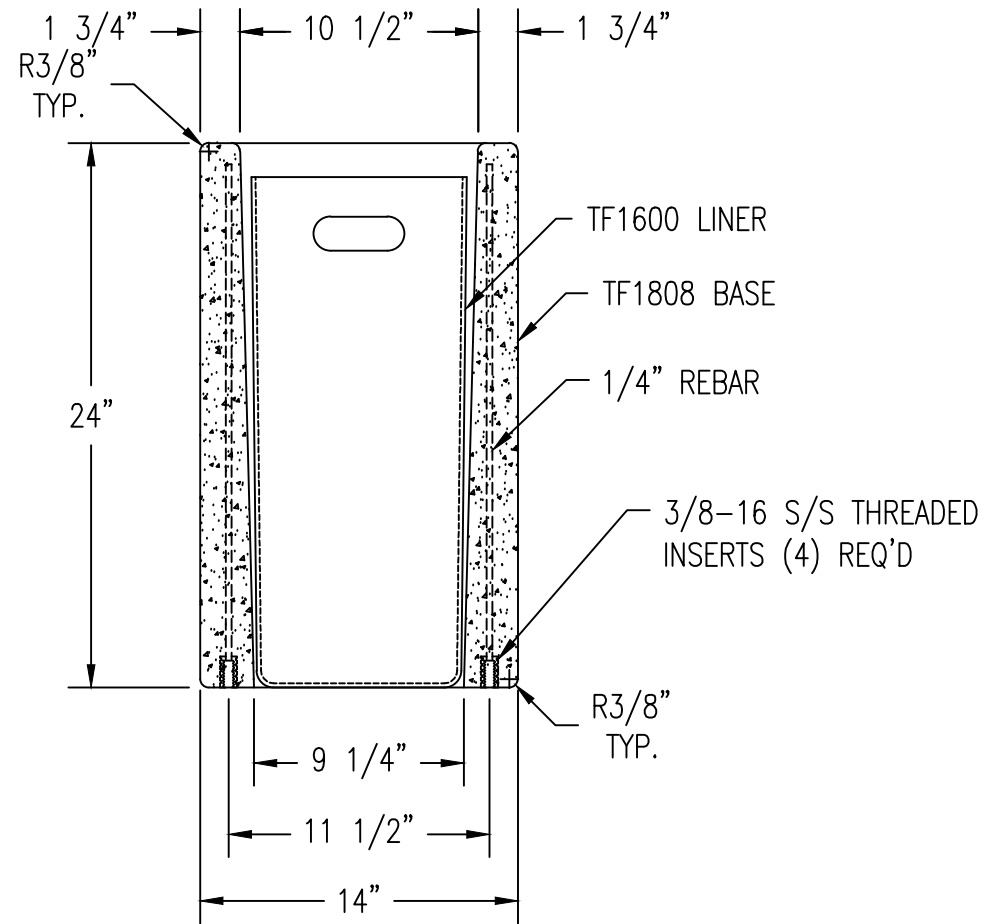
**1 TOP VIEW**  
Scale: 1/8" = 1"



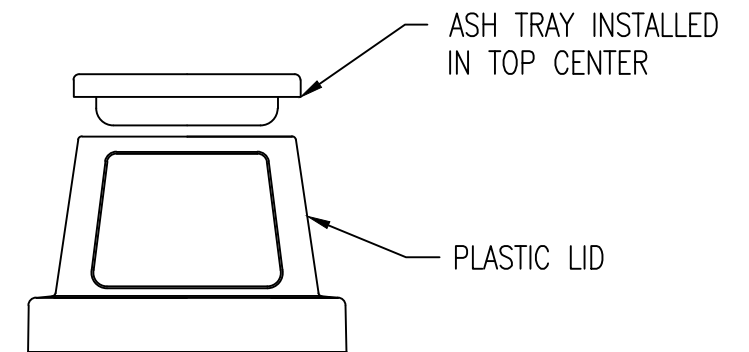
**2 ELEVATION VIEW**  
Scale: 1/8" = 1"



**3 BOTTOM VIEW**  
Scale: 1/8" = 1"



**4 SECTION VIEW**  
Scale: 1/8" = 1"



**WAUSAU TILE SITE FURNISHINGS**

P.O. BOX 1520 WAUSAU, WISCONSIN 54402-1520 800/388-8728  
P.O. BOX 967 BANNING, CALIFORNIA 92220 877/849-5696

REVISIONS						DRAWN BY	JOB	MATERIAL
NO.	DATE	BY	NO.	DATE	BY	JPZ	CONCRETE	
1			4			JOB NO.	WEIGHT	
2			5			LOCATION	205 LBS	
3			6			SCALE	ITEM NO.	
						AS NOTED	UNLESS OTHERWISE SPECIFIED DIMENSIONS ARE IN INCHES TOLERANCES: ±1/8"	DATE
						FINISH OPTIONS		10/29/12
								ITEM NO.
								TF1006
								DWG. NO.
								1 OF 1