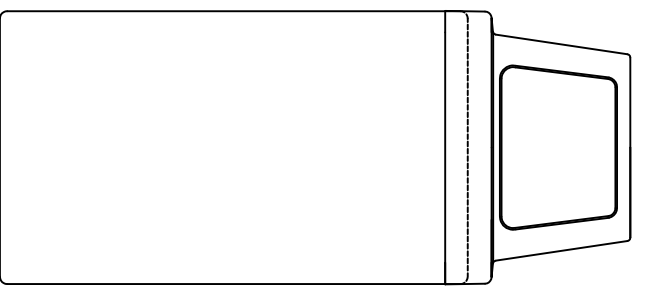
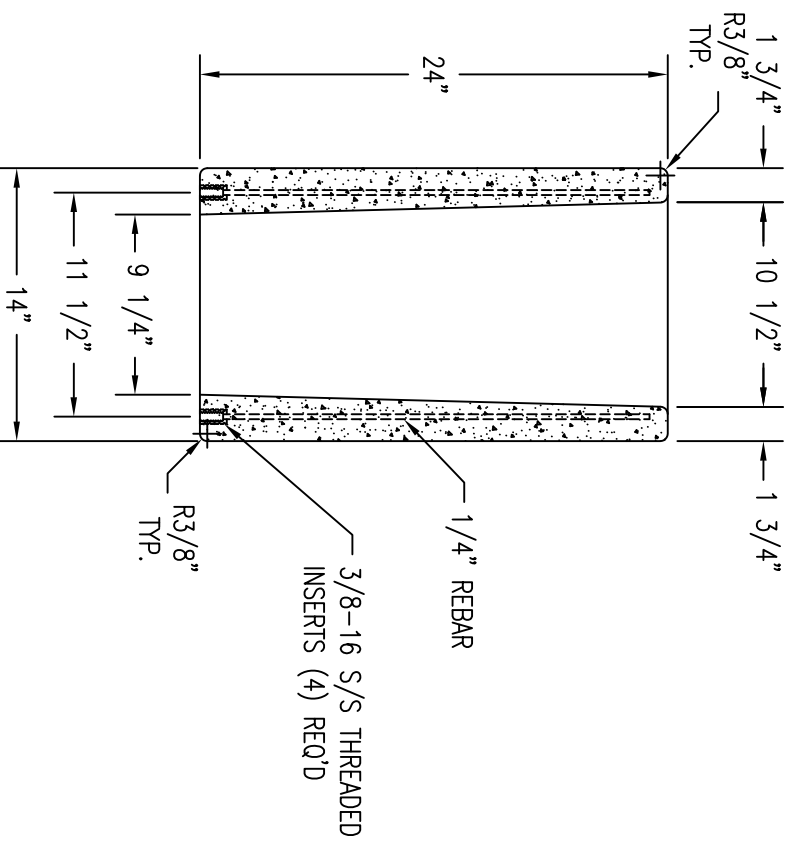


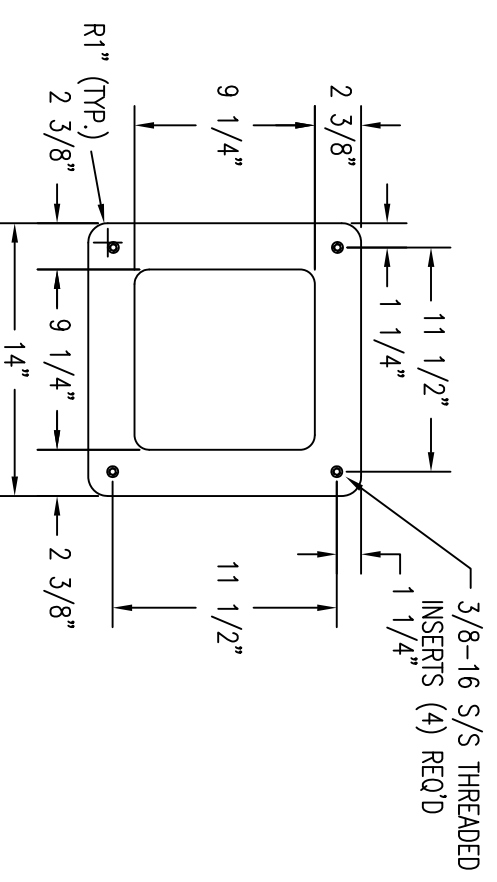
**1** TOP VIEW  
Scale: 1/8" = 1"



**2** ELEVATION VIEW  
Scale: 1/8" = 1"



**4** SECTION VIEW  
Scale: 1/8" = 1"



**3** BOTTOM VIEW  
Scale: 1/8" = 1"

<b>WAUSAU TILE</b>		P.O. BOX 4520, WAUSAU, WISCONSIN 54482-4520, 800/298-8728	
DRAWN BY: JPZ		JOB NO.:	
TITLE: TF1005 WASTE CONTAINER		DATE: 11/10/11	
SCALE: AS NOTED		MATERIAL: CONCRETE	
UNLESS OTHERWISE SPECIFIED DIMENSIONS ARE IN INCHES FRACTIONS 1/8		WEIGHT: 205 LBS.	
		FINISH: A, B, C, GT,	
		DWG. NO.:	
REV	DESCRIPTION	NAME	DATE
1			