



P.O. BOX 1520 WAUSAU, WI 54402-1520  
 E-MAIL: SALES@MAUSAUTILE.COM  
 WEB SITE: WWW.MAUSAUTILE.COM

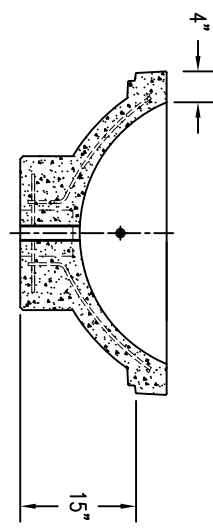
REVISIONS

NAME	DATE	NOTES
1		
2		
3		
4		
5		
6		
7		
8		

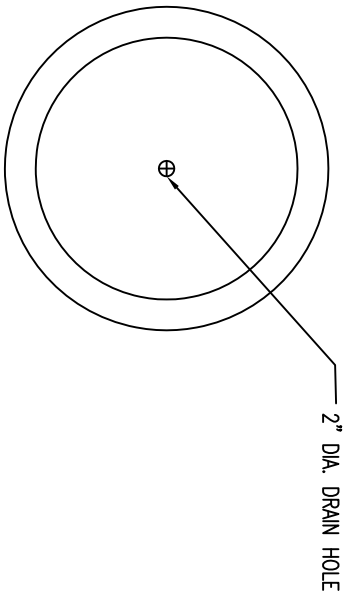
THESE DRAWING SPECIFICATIONS AND OTHER INFORMATION ARE THE PROPERTY OF WAUSAU TILE, INC. THE DRAWINGS SHALL BELONG TO THE OWNER AND SHALL BE KEPT IN CONFIDENTIAL AND PROPRIETARY PROPERTY OF WAUSAU TILE, INC. ANY ADDITIONAL USE SHALL REQUIRE THE PRIOR WRITTEN APPROVAL OF WAUSAU TILE, INC. THE PROPRIETARY INFORMATION CONTAINED HEREIN IS UNCLASSIFIED AND IS THE PROPERTY OF WAUSAU TILE, INC.

JOB NAME  
 ADDRESS  
 CITY, STATE ZIP

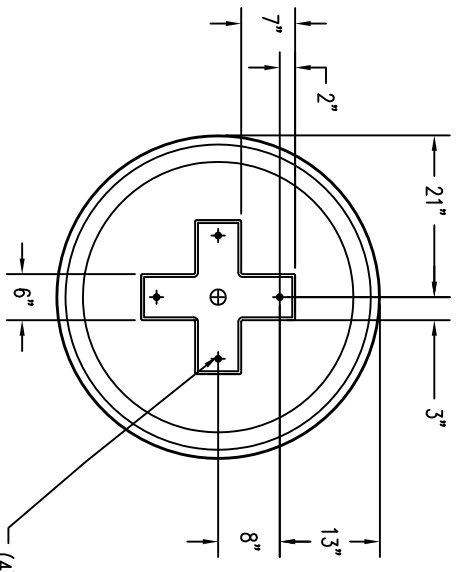
UNLESS OTHERWISE SPECIFIED  
 DIMENSIONS ARE IN INCHES  
 FINISHES 4/16"  
 DRAWN BY: SK  
 DATE: 7/1/15  
 CD NUMBER: ?  
 WEIGHT: 720 LBS  
 PRODUCT NO.  
**SL 4035**



4 CROSS SECTION

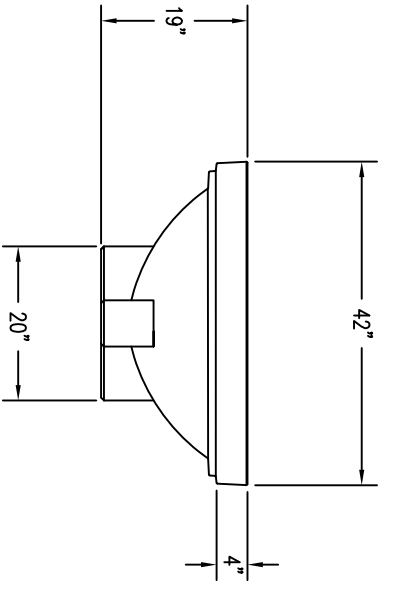


1 TOP VIEW



3 BOTTOM VIEW

(4) 1/2"-13 UNC S/S INSERTS



2 ELEVATION VIEW