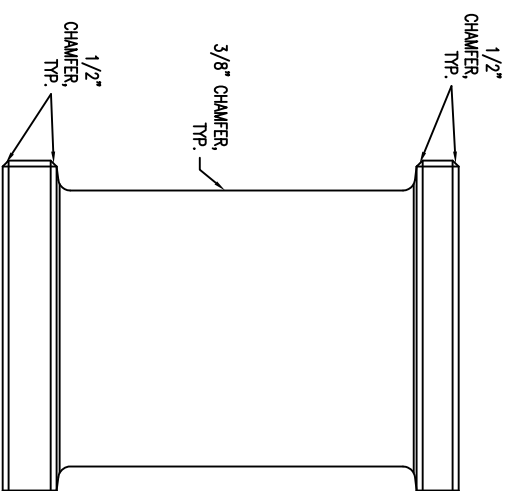
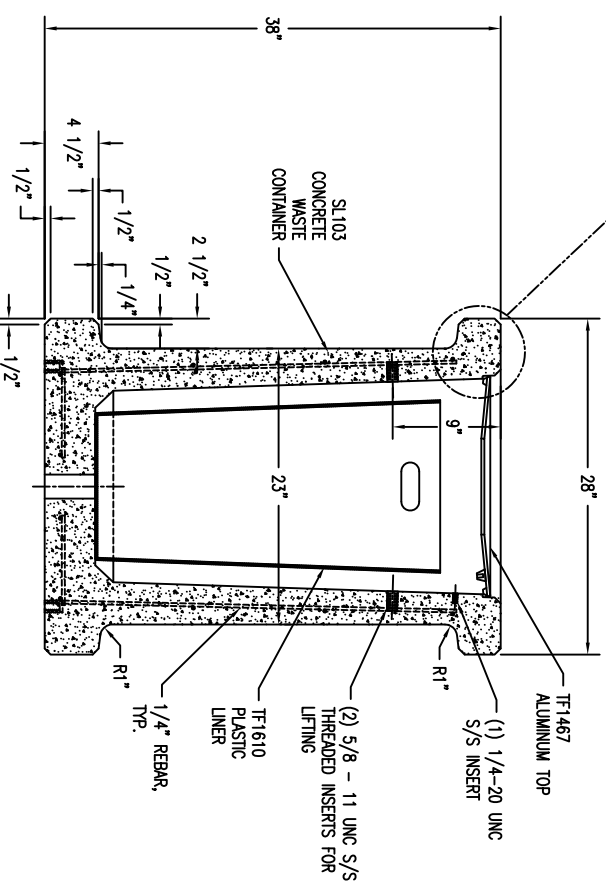
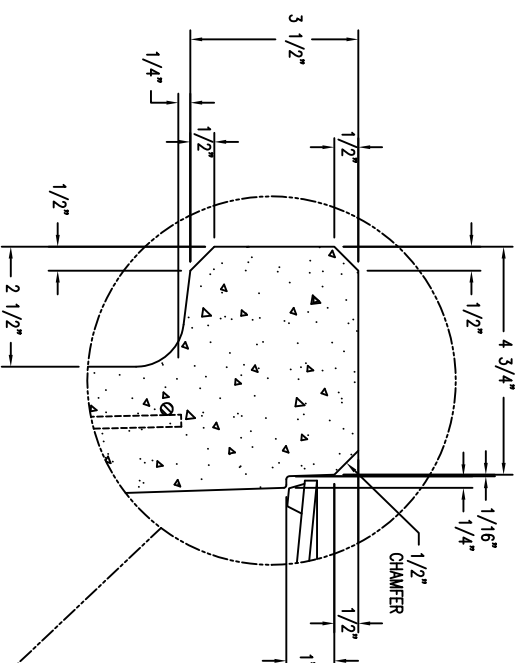


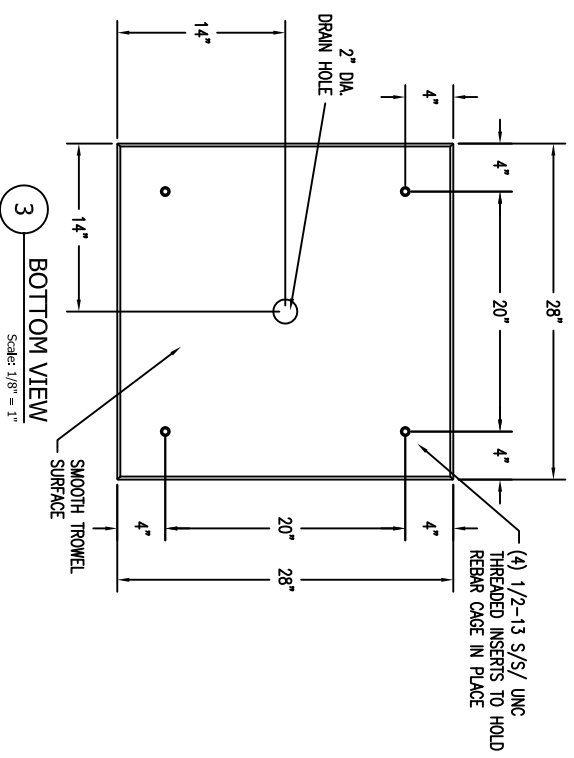
1 TOP VIEW  
Scale: 1/8" = 1"



2 ELEVATION VIEW  
Scale: 1/8" = 1"



4 CROSS SECTION VIEW  
Scale: 1/8" = 1"



3 BOTTOM VIEW  
Scale: 1/8" = 1"

REVISIONS						DRAWN BY		P.A.W.		JOB		MATERIAL	
NO.	DATE	BY	NO.	DATE	BY	JOB NO.	SCALE	UNLESS OTHERWISE SPECIFIED DIMENSIONS ARE IN INCHES TOLERANCES ± 1/8"	DATE	ITEM NO.	WEIGHT		
1			4			AS NOTED			1/18/10	SL103	1,335 LBS		
2			5										
3			6										

**WAUSAU TILE SITE FURNISHINGS**

P.O. BOX 1520 WAUSAU, WISCONSIN 54402-1520 800/298-8728  
E-MAIL: TITELUM@WAUSAUTILE.COM  
WEB SITE: WWW.WAUSAUTILE.COM

MATERIAL CONCRETE

WEIGHT 1,335 LBS

ITEM NO. SL103

DWG. NO. 1 OF 1