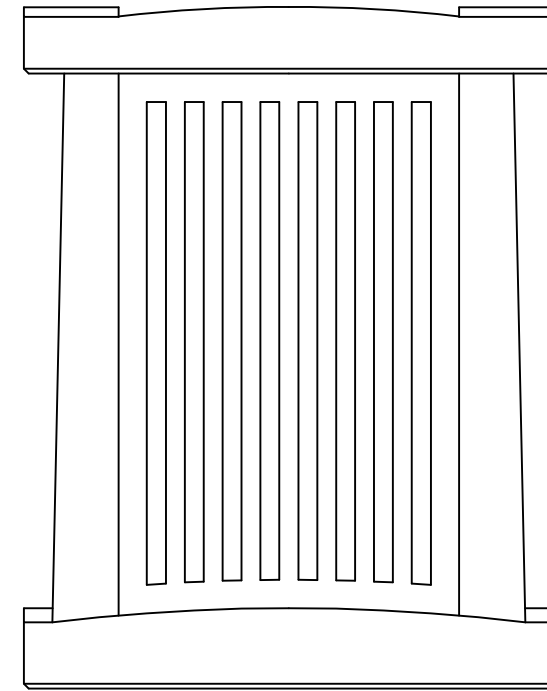
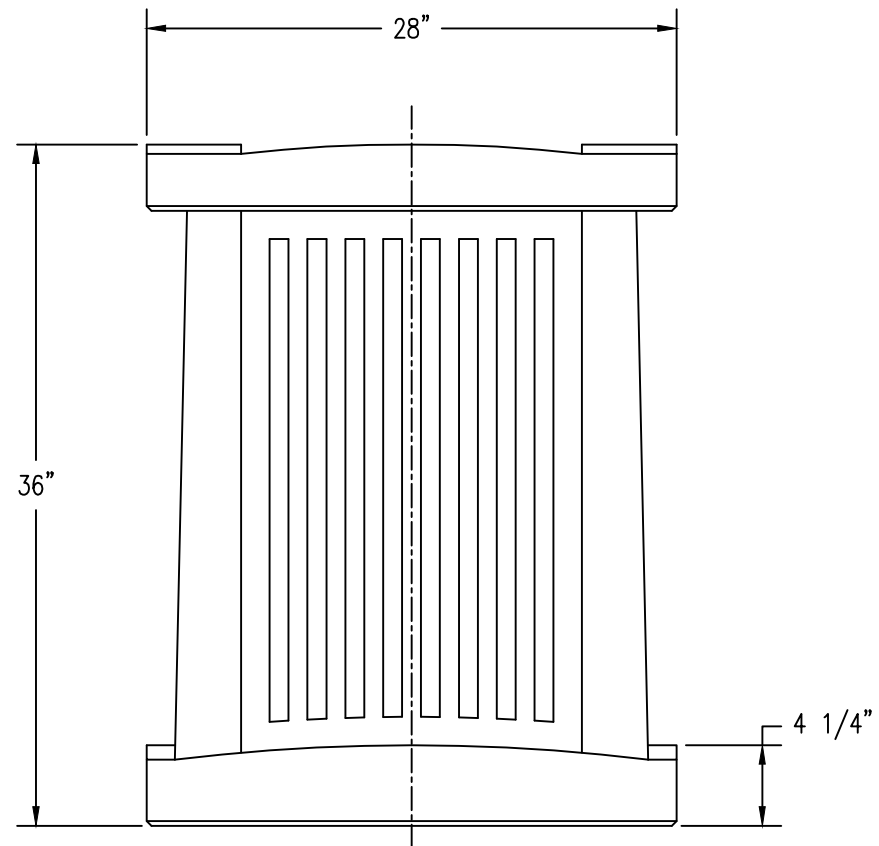


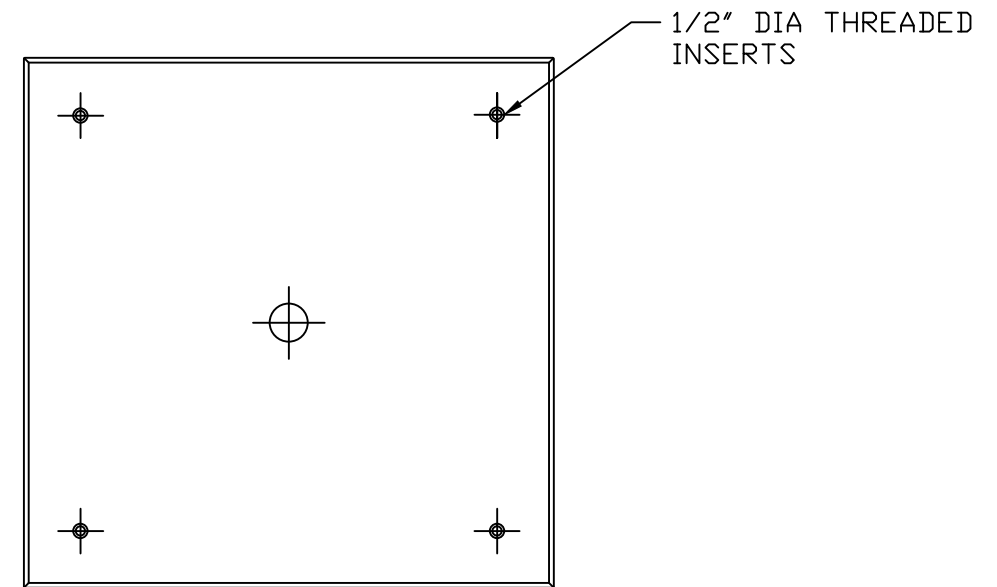
TOP VIEW WASTE CONTAINER



SIDE VIEW



FRONT VIEW



BOTTOM VIEW

WAUSAU TILE SITE FURNISHINGS						P.O. BOX 1520 WAUSAU, WISCONSIN 54982-1520 800/236-8728		P.O. BOX 987 BURNING, CALIFORNIA 92220 800/231-6038	
REVISIONS			DRAWN BY L.B.E.			JOB CD438108		MATERIAL	
NO.	DATE	BY	NO.	DATE	BY	JOB NO.		WEIGHT	
1			4			SCALE		DATE 3-5-09	
2			5			CHECKED		UNLESS OTHERWISE SPECIFIED DIMENSIONS ARE IN INCHES	
3			6					FINISH OPTIONS	
						2 PL. \$10.01 3 PL. \$10.06		DWC. NO. SL102	