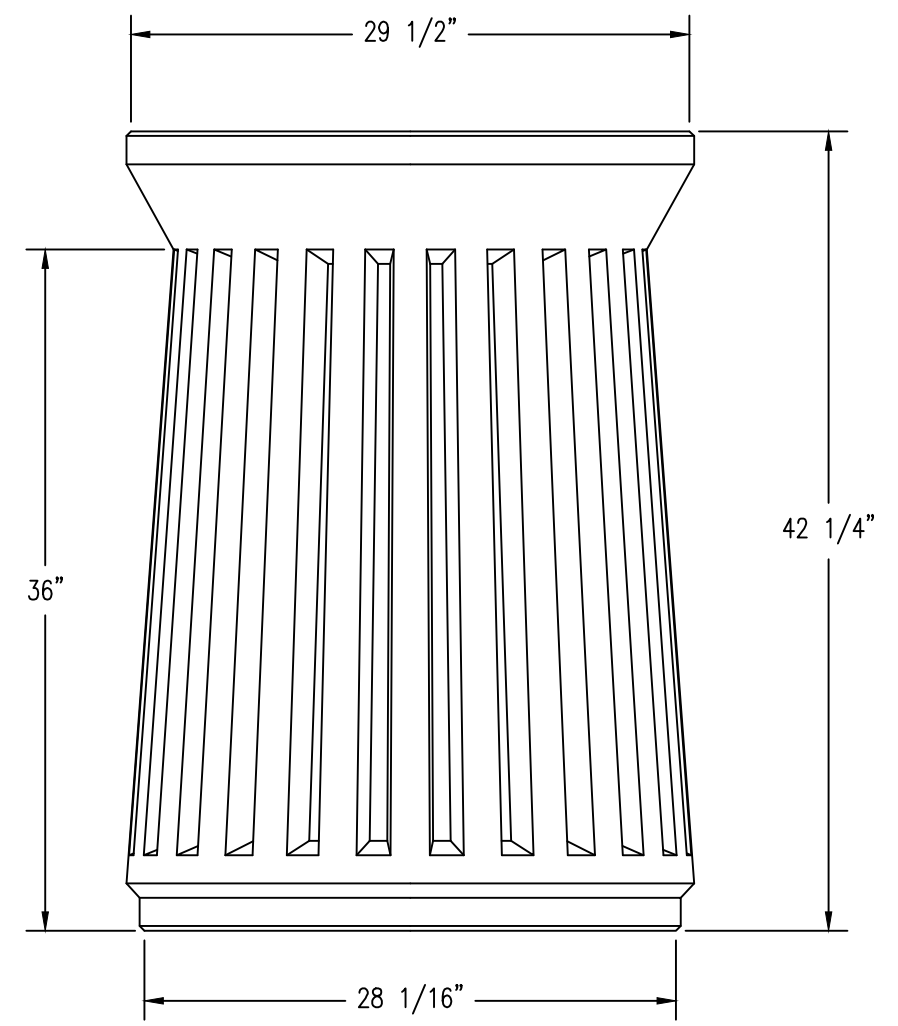
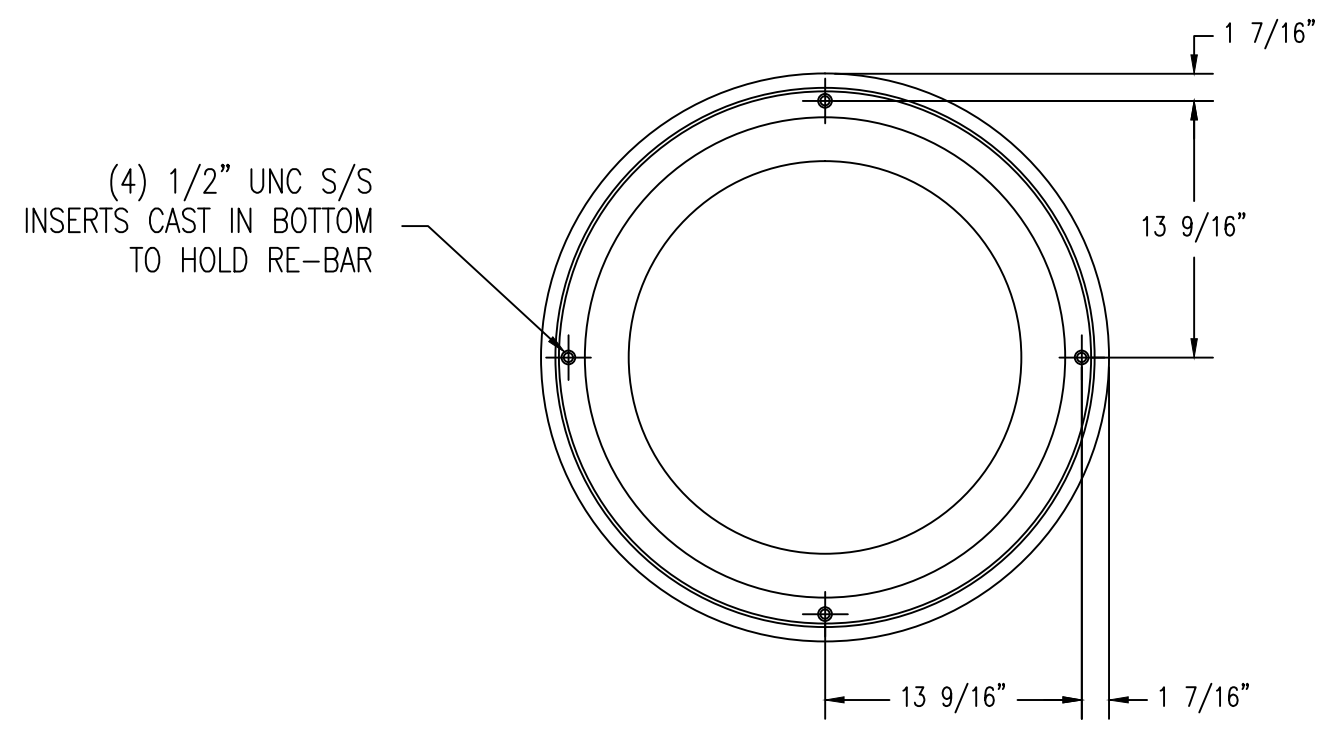


TOP VIEW WASTE CONTAINER



FRONT VIEW



BOTTOM VIEW WASTE CONTAINER

WAUSAU TILE SITE FURNISHINGS							P.O. BOX 1520 WAUSAU, WISCONSIN 54982-1520 800/288-8728 P.O. BOX 987 BURNING, CALIFORNIA 92220 800/231-4036		
REVISIONS						DRAWN BY	JOB		MATERIAL
NO.	DATE	BY	NO.	DATE	BY	L.B.E.	JOB NO.		WEIGHT
1			4			TITLE	UNLESS OTHERWISE SPECIFIED		DATE
2			5			SCALE	DIMENSIONS ARE IN INCHES		FINISH
3			6			CHECKED	2 PL. \$0.01 3 PL. \$0.06		OPTIONS
							DWC. NO.		SL100