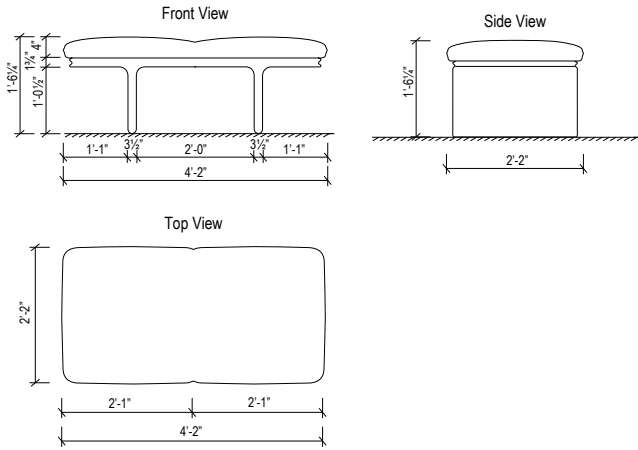
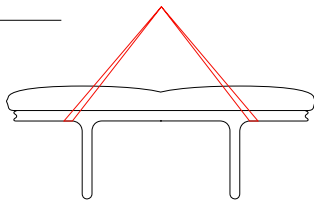


BENCH PADDED 2-SEAT

SHAPE



HANDLING*



DESIGNER



Markus Kurkowski

Element	Length inch	Width inch	Height inch	Weight lbs/p
ZB.PD.01	50	26	18 1/4	630

! Special custom manufacturing. Order and delivery time on request

PRODUCT DESCRIPTION

Characteristics

- Prefabricated concrete element
- Finish:
 - > Acid wash : a light acid etch finish with an even and flat texture across the entire surface
 - > Weatherstone : a sandblast finish exposing rock and giving a subtle texture and weathered look
- Free standing
- Factory sealed

Delivery information

- Delivery only on pallets



PROJECT STUDY INFORMATION

- Specific dimensions in custom manufacturing (only on order): on demand

SHIPPING FEES

- On demand

COLORS

Acid wash	Weatherstone
 A20 - White	 W20 - White
 A21 - Buff	 W21 - Buff
 A22 - Sand	 W22 - Sand
 A23 - Gray	 W23 - Gray
 A24 - Brick red	 W24 - Brick red
 A25 - Brown	 W25 - Brown
 A26 - Charcoal	 W26 - Charcoal
 A30 - Star	 W30 - Star
 A31 - Fog	 W31 - Fog
 A38 - Night	 W33 - Misty gray
	 W38 - Night