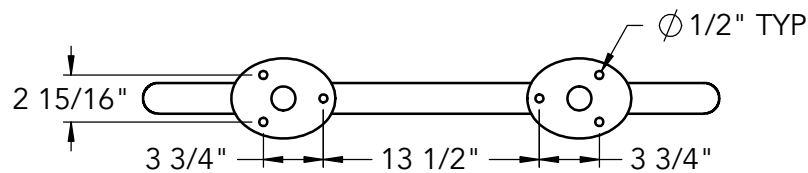
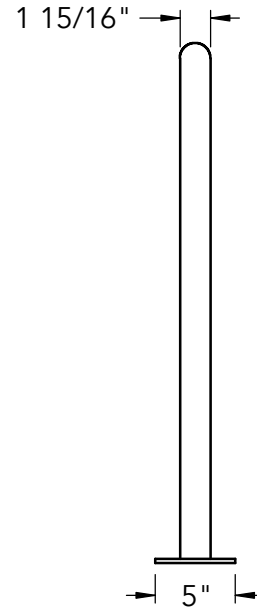
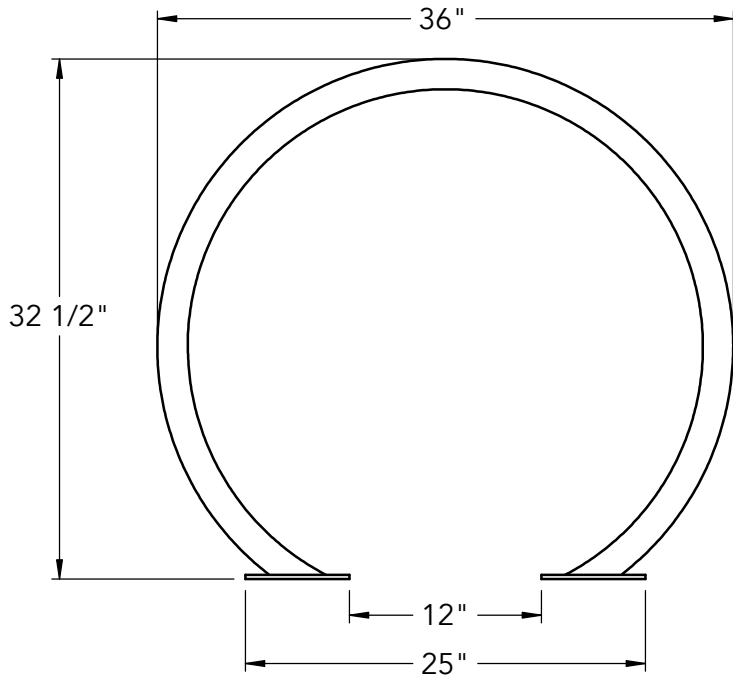
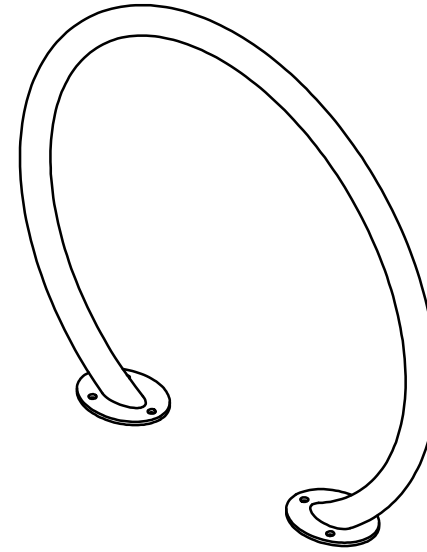
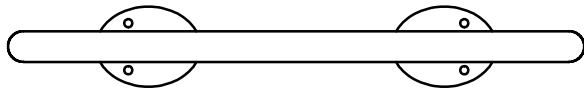


ITEM NO.	PART NUMBER	DESCRIPTION	QTY.
1	350298		1



P.O. BOX 1520, WAUSAU, WI 54402-1520
 800-388-8728
 E-MAIL: WTILE@WAUSAUTILE.COM
 WEBSITE: WWW.WAUSAUTILE.COM

REVISIONS

NAME	DATE	NOTES
1		
2		
3		
4		
5		
6		
7		
8		

CONFIDENTIAL INFORMATION

THESE DRAWINGS, SPECIFICATIONS AND OTHER INFORMATION AND DOCUMENTS ACCOMPANYING THEM ARE THE CONFIDENTIAL AND PROPRIETARY PROPERTY OF WAUSAU TILE, INC. THE DRAWINGS THEMSELVES SHALL BELONG TO THE OWNER FOR USE ONLY ON THE PROJECT. ANY ADDITIONAL USE SHALL REQUIRE THE PRIOR WRITTEN APPROVAL OF WAUSAU TILE, INC. THE PROPRIETARY INFORMATION CONTAINED WITHIN THE DRAWINGS AND THE DOCUMENTS IS AND SHALL REMAIN THE SOLE PROPERTY OF WAUSAU TILE, INC.

BIKE RACK, 36" X 32.5" CIRCLE

UNLESS OTHERWISE SPECIFIED DIMENSIONS ARE IN INCHES
 TOLERANCE:
 FRACTIONS $\pm 1/8''$ ANGLE $\pm 0.5^\circ$
 DIM: 2-PL ± 0.01 3-PL ± 0.05

DRAWN BY: GRN 08/26/19

DATE: 8/26/2019

MATERIAL:

CO NUMBER:

WEIGHT:

NUMBER:

MF9024