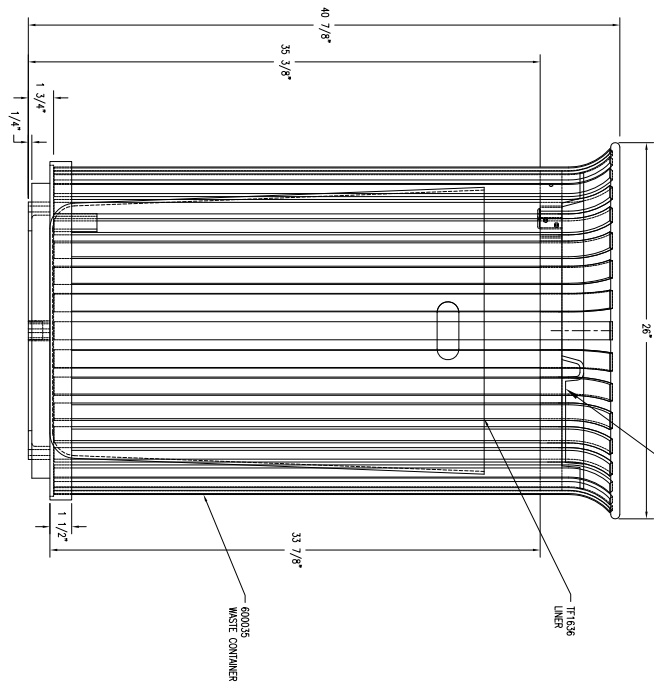


TF1508-8 CONTAINER LID



60035 WASTE CONTAINER

TF1536 LINER

**WALSAY TILE SITE FURNISHINGS**

NO.		DATE		BY		NO.		DATE		BY		TITLE		JOB NO.		DATE		FINISH OPTIONS		WF 3223	
1				4																	
2				5																	
3				6																	

24.88 8/29 WASH. METAL WORKS 4440-520 802/794-379  
 24.88 8/29 WASH. METAL WORKS 4440-520 802/794-379  
 24.88 8/29 WASH. METAL WORKS 4440-520 802/794-379