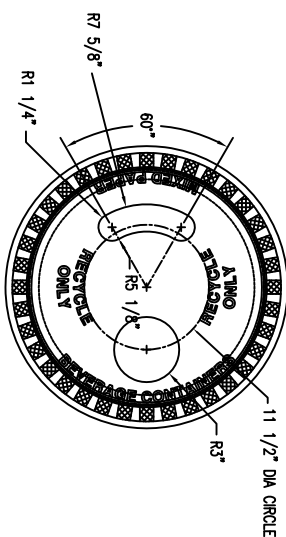
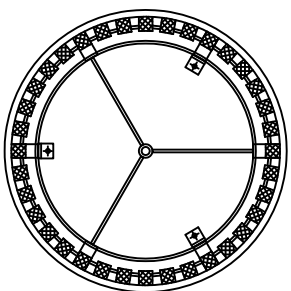


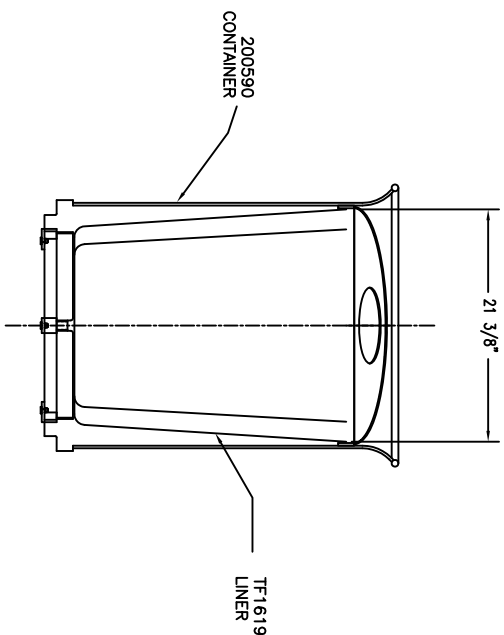
FRONT VIEW



TOP VIEW



BOTTOM VIEW



SECTION VIEW

WAUSAU TILE SITE FURNISHINGS

14.000 1200 WASHINGTON ROAD, SUITE 100
 WAUSAU, WI 54983
 TEL: 920.790.2100 FAX: 920.790.2101

REVISIONS		DRAWN BY		L.S.P.		JOB NO.		MATERIALS LISTED		DATE		FINISH		MATERIALS	
NO.	DATE	BY	NO.	DATE	BY	SCALE									
1			4												
2			5												
3			6												

160 LBS
 MF-2221