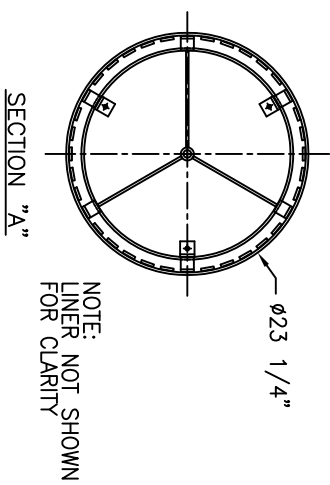


(3) #400132
3/8-16 x 1.5 LG.
ELEVATOR BOLTS



NOTE:
LINER NOT SHOWN
FOR CLARITY

WAUSAU TILE SITE FURNISHINGS

P.O. BOX 1520 WAUSAU, WISCONSIN 54402-1520 800/288-8728
P.O. BOX 987 BANNING, CALIFORNIA 92220 800/231-4836

REVISIONS				DRAWN BY		JOB		MATERIAL	
NO.	DATE	BY	NO.	DATE	BY	TITLE	JOB NO.	WEIGHT	FINISH OPTIONS
1			4			SLOTTED CONTAINER			
2			5			SCALE 1/12			
3			6				UNLESS OTHERWISE SPECIFIED DIMENSIONS ARE IN INCHES ANGLES 30.5° FRAC. 31/16° 2 PL. ±0.01° 3 PL. ±0.005		
								DWG. NO.	MF3212

MODEL #3212