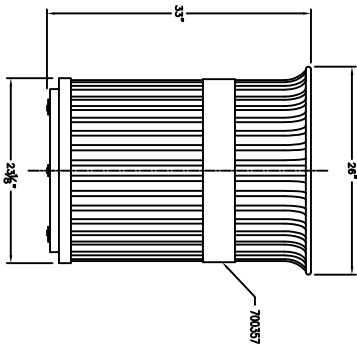
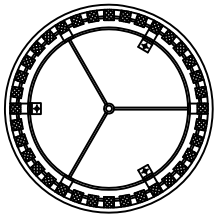


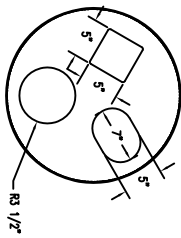
TOP VIEW



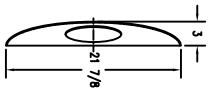
FRONT VIEW



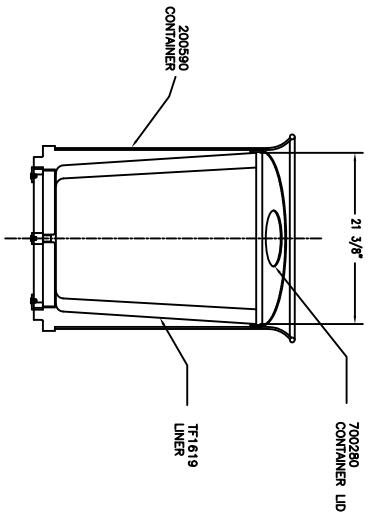
BOTTOM VIEW



LID TOP VIEW



LID SIDE VIEW



SECTION VIEW

WAISAU TILE SITE FURNISHINGS									
REVISIONS				DRAWN BY		L.S.B.C.		JOB NO.	
NO.	DATE	BY	NO.	DATE	BY	TITLE	NO.	DATE	NO.
1			4						
2			5			SCALE			
3			6			CHECKED			

1/4" = 1' FOR GENERAL SYSTEMS DRAWINGS
1/2" = 1' FOR GENERAL SYSTEMS DRAWINGS

DATE	DRAWN BY	CHECKED BY	NO.	DATE
4-10-08				

149 LBS
HF 3211