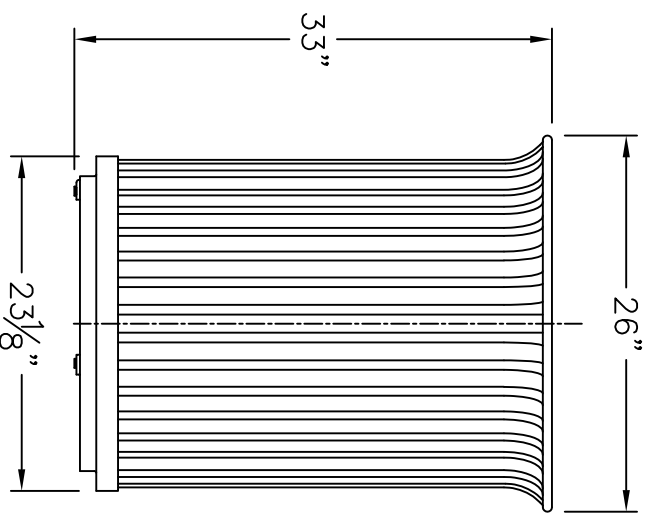


(3) ALS4420165
 1/4-20X.165 GRIP AL INSERT AVK
 (3) 400029
 FLOOR GLIDE 1/4-20 X 1



REVISIONS				DRAWN BY		L.S.P.C.		JOB NO.		DATE		TITLE		CHECKED	
NO.	DATE	BY	NO.	DATE	BY	NO.	DATE	BY	NO.	DATE	BY	NO.	DATE	BY	NO.
1			4												
2			5												
3			6												

WASAU TILE SITE FURNISHINGS

DATE: 12/15/2010
 TIME: 10:00 AM
 DRAWN BY: J. S. P. C.
 CHECKED BY: J. S. P. C.

SCALE: 1/4" = 1'-0"

DATE: 12/15/2010

TIME: 10:00 AM

PROJECT: 3-4-018

DATE: 12/15/2010

TIME: 10:00 AM

NO. 3200