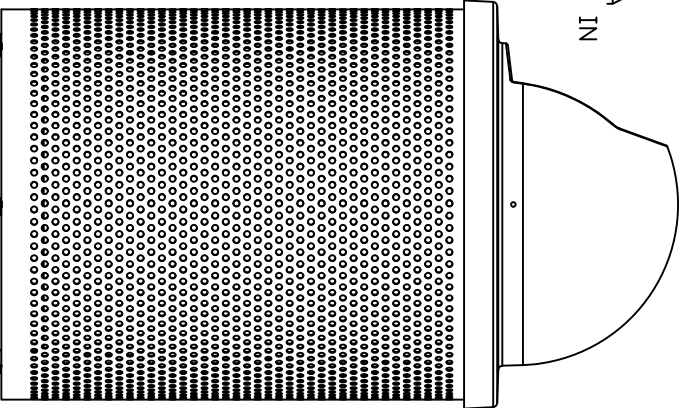
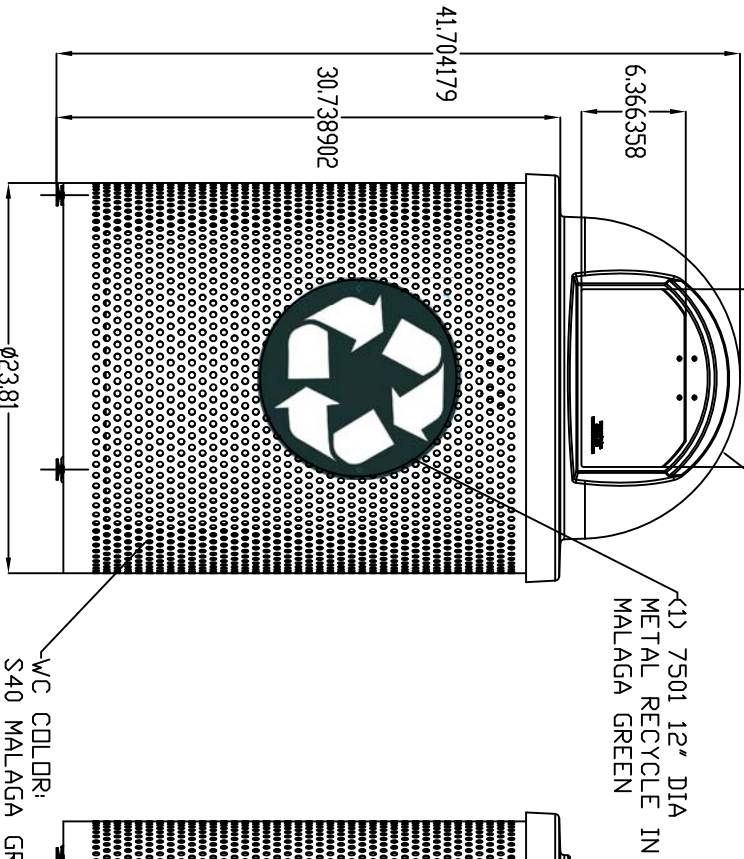
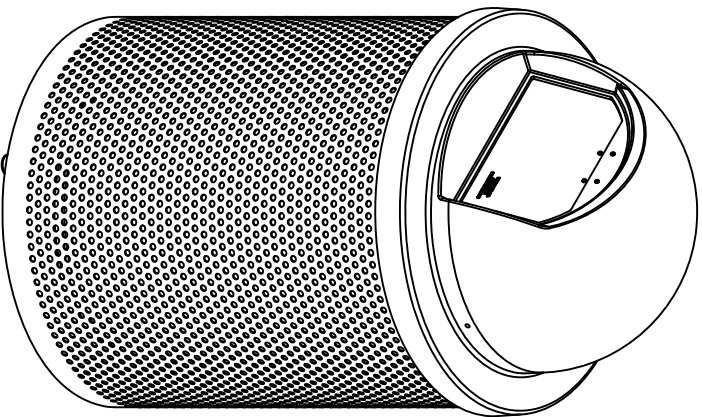
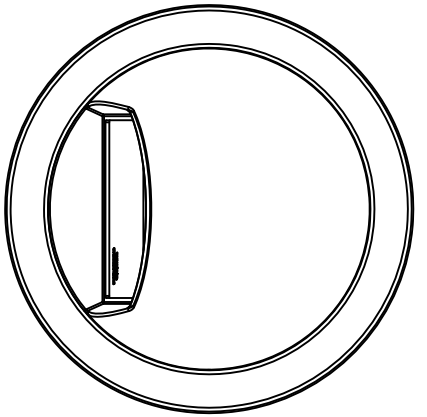


ITEM	PART NUM	DESCRIPTION	QTY
1	450675	WELDMENT 24" X 30"	1
2	400119	NUT, AVK, 1/4-20 X 1/2	3
3	400029	FLOOR GLIDE 1/4-20 X 1.00	3
4	TF1489	PLASTIC PUSH DOOR LID	1
5	TF1636	31 GALLON PLASTIC LINER	1



NAME	DATE	NOTES


WAUSAU TILE
 P.O. BOX 1520, WAUSAU, WI 54982-1520
 800-388-8728
 E-MAIL: VTL@WAUSAUTILE.COM
 WEBSITE: WWW.WAUSAUTILE.COM

CONFIDENTIAL INFORMATION
 THESE DRAWINGS, SPECIFICATIONS AND
 OTHER INFORMATION AND DOCUMENTS
 ACCOMPANYING THEM ARE THE
 PROPERTY OF WAUSAU TILE, INC. THE
 DRAWINGS HEREBY SHALL BELONG TO
 THE OWNER FOR USE ONLY ON THE
 PROJECT. ANY ADDITIONAL USE SHALL
 REQUIRE THE PRIOR WRITTEN APPROVAL
 OF WAUSAU TILE, INC. THE PROPRIETARY
 INFORMATION CONTAINED WITHIN THE
 DRAWINGS AND THE DOCUMENTS IS AND
 SHALL REMAIN THE SOLE PROPERTY OF
 WAUSAU TILE, INC.

CITY OF SANTA BARBARA
 SANTA BARBARA, CA
 24" WASTE CONTAINER

UNLESS OTHERWISE SPECIFIED
 DIMENSIONS ARE IN INCHES
 TOLERANCES:
 FRACTIONS ± 1/8" ANGLE ±0.5°
 DIM 2-PL ±0.01 3-PL ±0.05

DRAWN BY: JEM 10/14/15

DATE: 1/18/19

MATERIAL:

CD NUMBER

WEIGHT:

NUMBER:

MF 3083