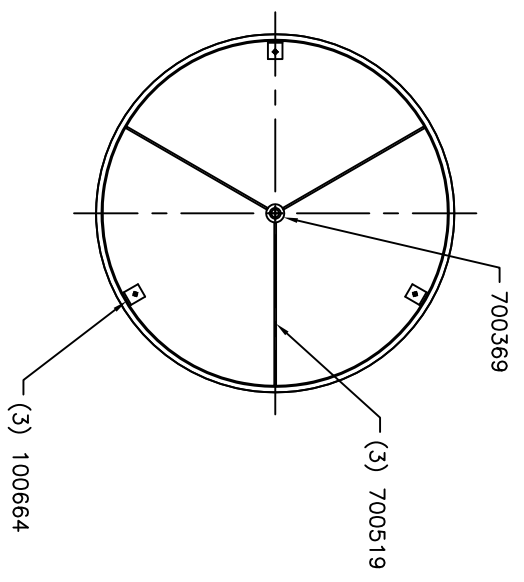


(3) ALS4420165
 1/4-20X.165 GRIP AL INSERT AVK
 (3) 400029
 FLOOR GUIDE 1/4-20 X 1



WAUSAU TILE SITE FURNISHINGS											
REVISIONS						JOB NO.					
NO.	DATE	BY	NO.	DATE	BY	TITLE	DATE	BY	SCALE	DATE	BY
1			4								
2			5								
3			6								

PROJECT	WAUSAU TILE SITE FURNISHINGS	DWG. NO.	HF-3020
SCALE	1/4" = 1'-0"	DATE	08-14-08
CHECKED		BY	