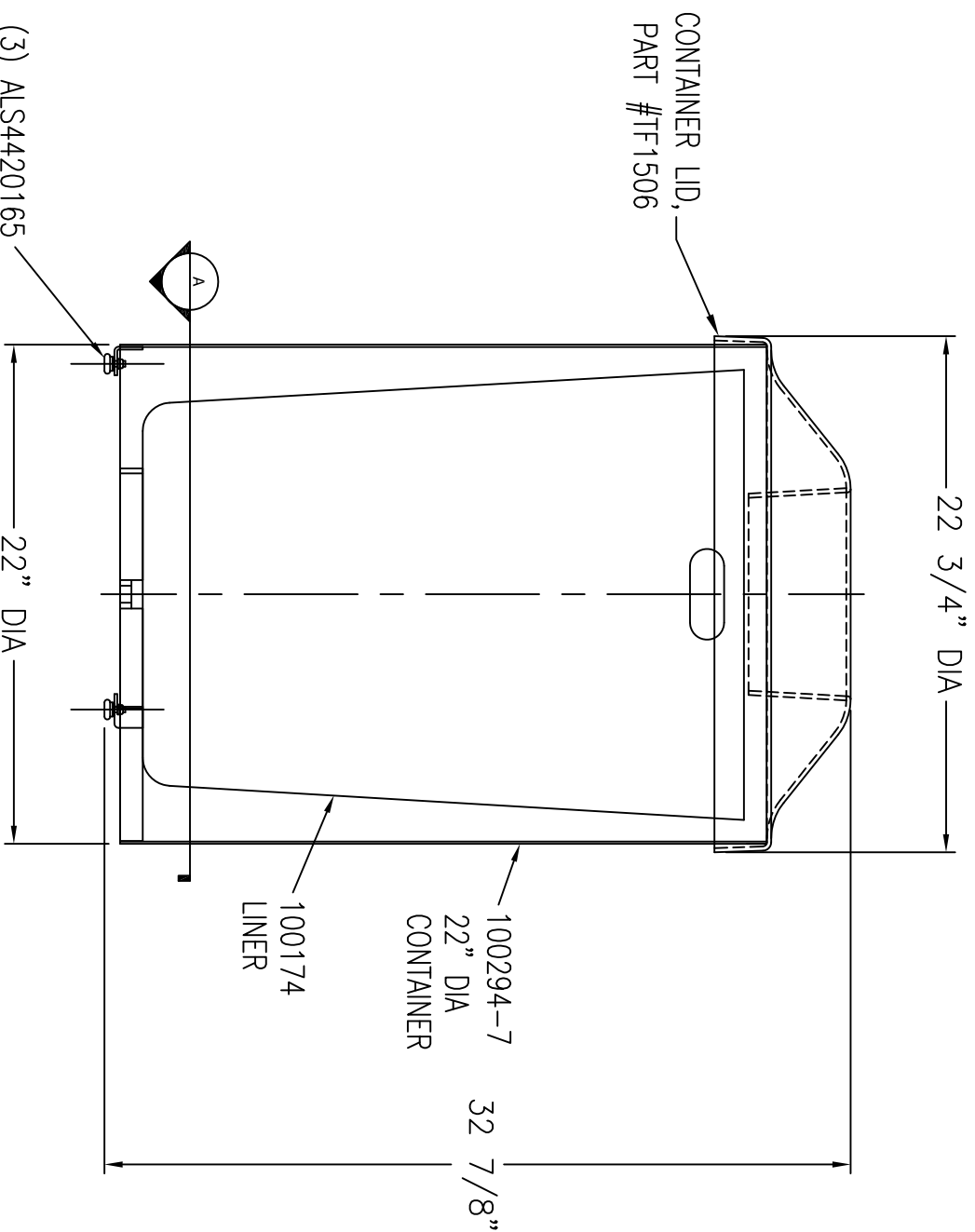
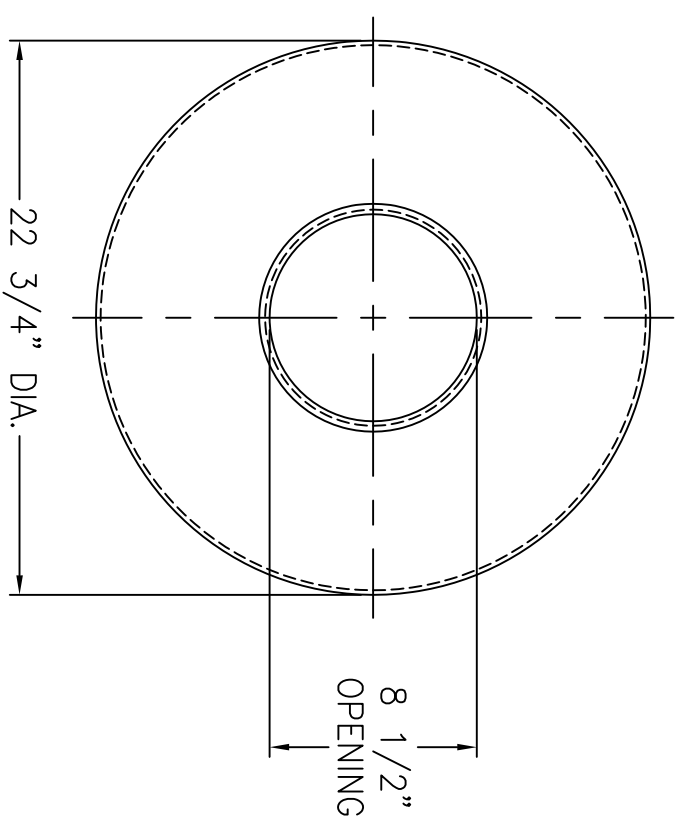


**1 FRONT ELEVATION**  
Scale: 1/8" = 1"

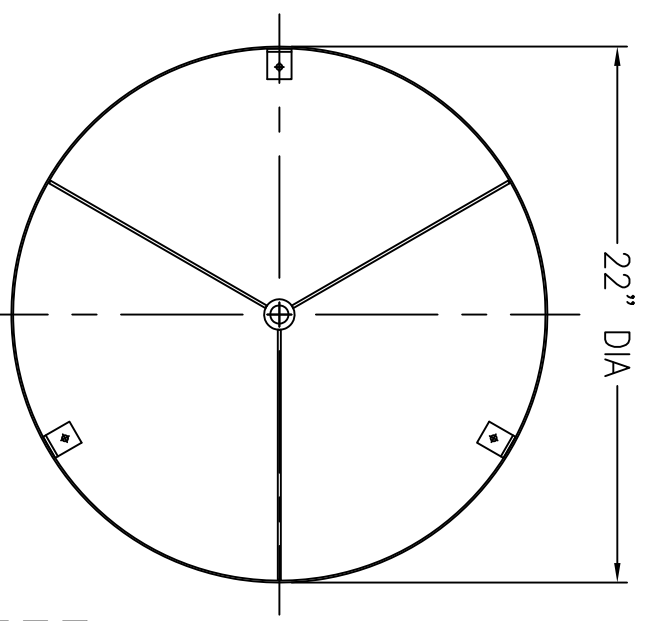
(3) ALS4420165  
1/4-20 X .165 GRIP  
AL INSERT AWK  
&  
(3) 400029  
FLOOR GLIDE 1/4-20 X 1



**2 SECTION VIEW**  
Scale: 1/8" = 1"



**3 TOP VIEW**  
Scale: 1/8" = 1"



**4 SECTION "A"**  
Scale: 1/8" = 1"

NOTE:  
LINER NOT SHOWN  
FOR CLARITY

REVISION	DESCRIPTION	DRAWN BY	DATE
4			
3			
2			
1			

<b>WAUSAU TILE</b>		P.O. BOX 1520 WAUSAU, WISCONSIN 54402-1520 800/388-8728	
		P.O. BOX 967 BANNING, CALIFORNIA 92220 877/849-5696	
DRAWN BY	MJOHNSON	JOB	
JOB NO.		LOCATION	
SCALE	AS NOTED	UNLESS OTHERWISE SPECIFIED DIMENSIONS ARE IN INCHES ANGLES ±0.5° FRACTIONS ±1/64 2 PL ±0.01 3 PL ±0.005	DATE
TITLE	φ22" X 33" HIGH CONTAINER ASSY		4/13/10
		MATERIAL	ITEM NO.
		WEIGHT	MF3008
			DWG. NO.
			1 OF 1

MODEL # 3008