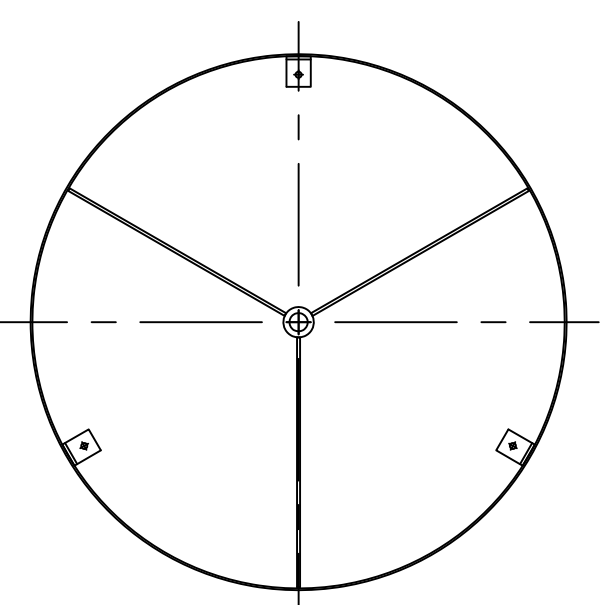
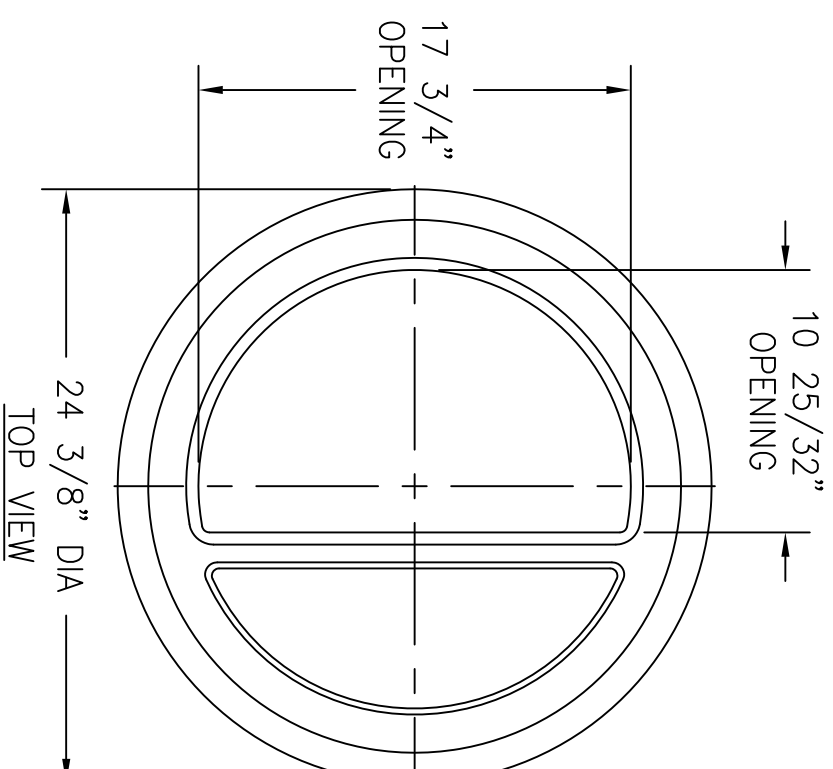


100170 - GRAY
 100302 - SAND
 100400 - BLACK
 CONTAINER RIM

100294-7
 22" DIA CONTAINER

100174
 LINER



NOTE:
 LINER NOT SHOWN
 FOR CLARITY

(3) ALS4420165
 1/4-20 X .165 GRIP
 AL INSERT AVK
 &
 (3) 400029
 FLOOR GLIDE 1/4-20 X 1

WAUSAU TILE SITE FURNISHINGS

P.O. BOX 1520 WAUSAU, WISCONSIN 54402-1520 800/388-8728
 P.O. BOX 967 BANNING, CALIFORNIA 92220 800/231-4836

REVISIONS

NO.	DATE	BY	NO.	DATE	BY	TITLE	JOB NO.	MATERIAL	WEIGHT	FINISH OPTIONS	
1	12/17/07	MJS	4			22" X 29" HIGH CONTAINER ASSY SCALE 1/8	UNLESS OTHERWISE SPECIFIED DIMENSIONS ARE IN INCHES ANGLES ±0.5° FRAC:±1/8" 2 PL ±0.01 3 PL ±0.005				
2	11/23/09	MMU	5								
3			6								

DRAWN BY DCM

JOB

DATE 08/15/01

DWG. NO. MF3005

MODEL #3005

REDRAWN COMPLETE