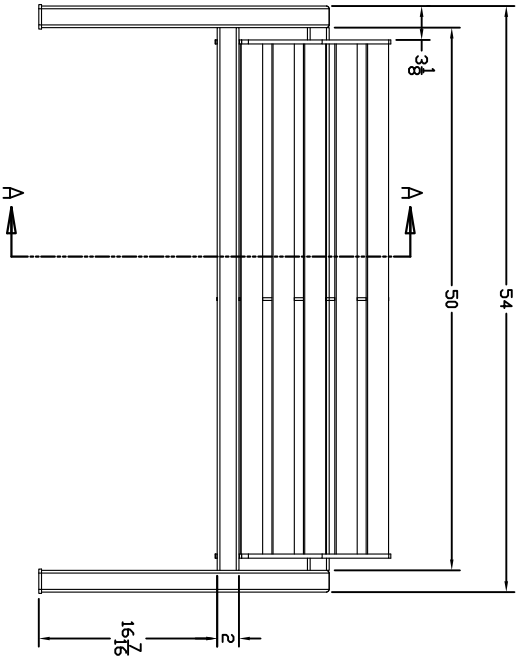
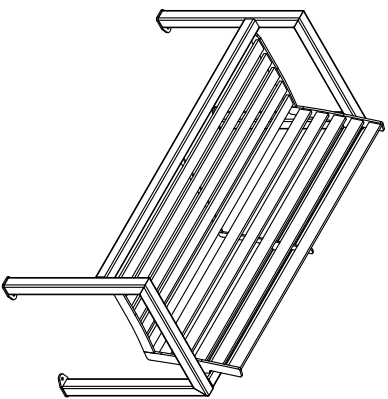
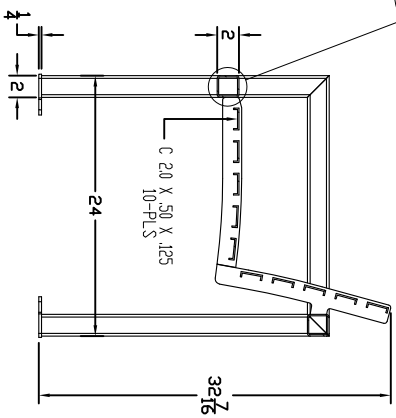
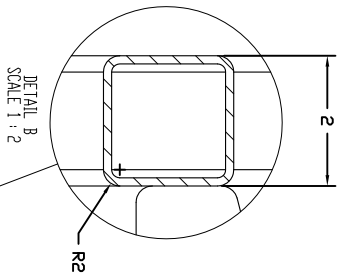


POWDERCOAT FINISH-
RAL9016

TOP VIEW



FRONT VIEW



SECTION A-A

WALSLEY TIRE SITE FURNISHINGS									
REVISIONS		DRAWN BY		LBE		JOB NO.		MATERIAL	
NO.	DATE	BY	NO.	DATE	BY	TITLE	NO.	DATE	BY
1			4	1/2	ft				
2			5						
3			6						
						SCALE	FINISH		ORDER NO.
							ALUMINUM		MF2221