

@-U V\	h"kuVyU"-k)-o#k@u@V	j u'
		u" "O O8"∞-U"O	
		"∞' 7uh-k7u"O u\h	
		u" "O O8" k #-	
		∕E h-k7o-`u	



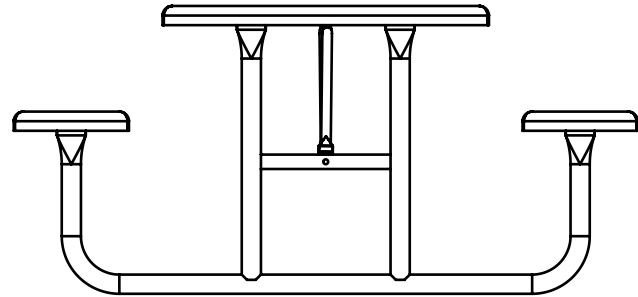
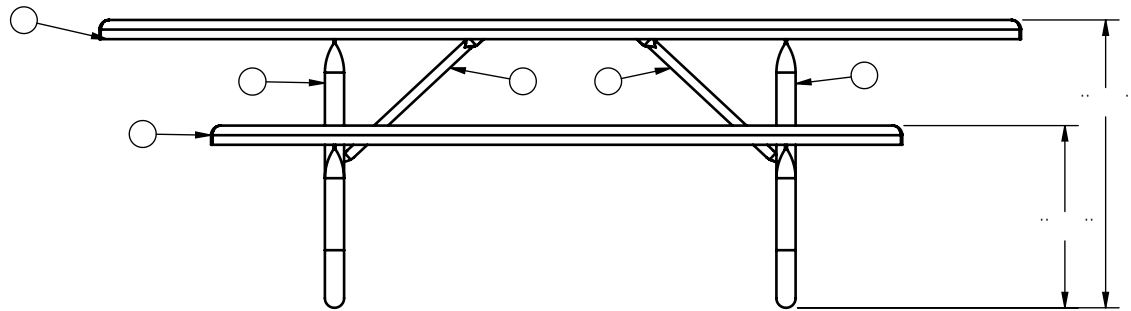
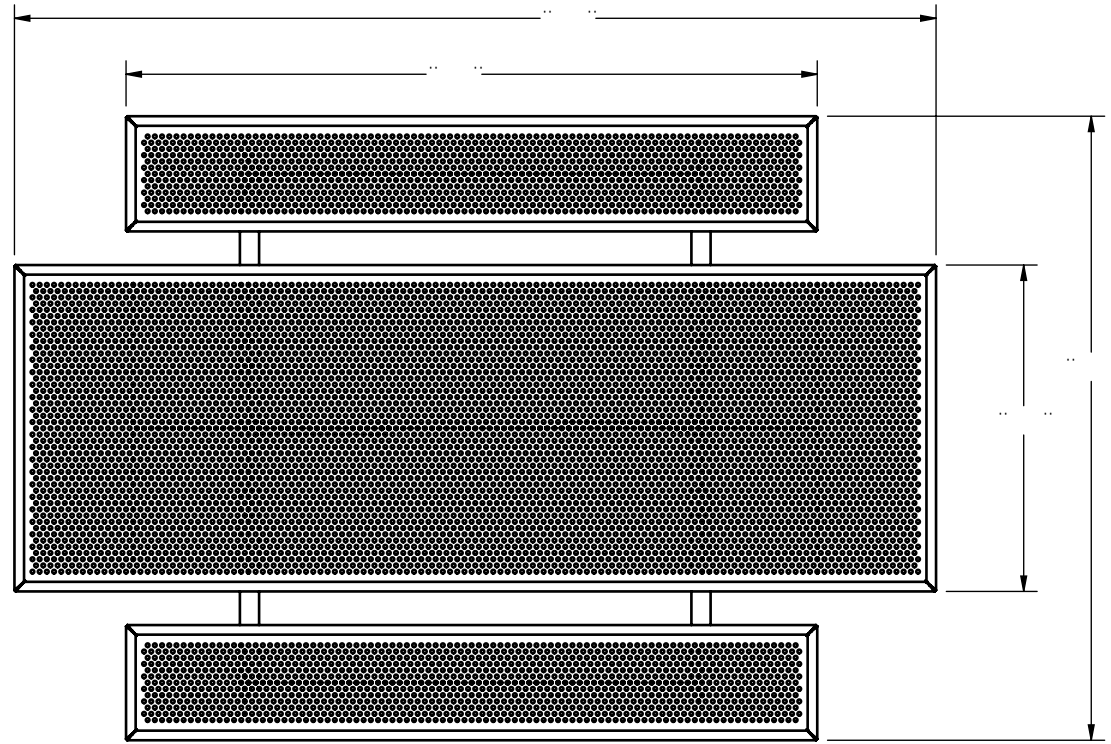
P.O. BOX 1520, WAUSAU, WI 54402-1520
 800-388-8728
 E-MAIL: WTILE@WAUSAUTILE.COM
 WEBSITE: WWW.WAUSAUTILE.COM

REVISIONS

NAME	DATE	NOTES
1		
2		
3		
4		
5		
6		
7		
8		

CONFIDENTIAL INFORMATION
 THESE DRAWINGS, SPECIFICATIONS AND OTHER INFORMATION AND DOCUMENTS ACCOMPANYING THEM ARE THE CONFIDENTIAL AND PROPRIETARY PROPERTY OF WAUSAU TILE, INC. THE DRAWINGS THEMSELVES SHALL BELONG TO THE OWNER FOR USE ONLY ON THE PROJECT. ANY ADDITIONAL USE SHALL REQUIRE THE PRIOR WRITTEN APPROVAL OF WAUSAU TILE, INC. THE PROPRIETARY INFORMATION CONTAINED WITHIN THE DRAWINGS AND THE DOCUMENTS IS AND SHALL REMAIN THE SOLE PROPERTY OF WAUSAU TILE, INC.

ADA PICNIC TABLE



UNLESS OTHERWISE SPECIFIED
 DIMENSIONS ARE IN INCHES
 TOLERANCE:
 FRACTIONS 0 1/8" ANGLE 0.5Å
 DIM: 2-PL 0.01 3-PL 0.005

DRAWN BY: JEM 10/14/15
DATE: 7/26/2017
MATERIAL:
CO NUMBER:
WEIGHT:
NUMBER: MF1059