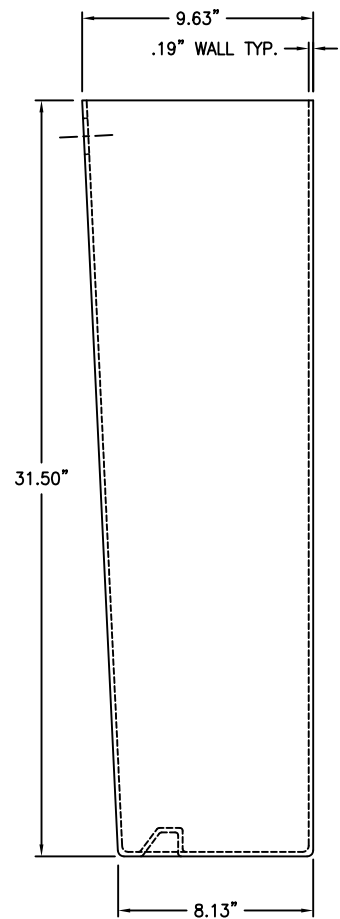
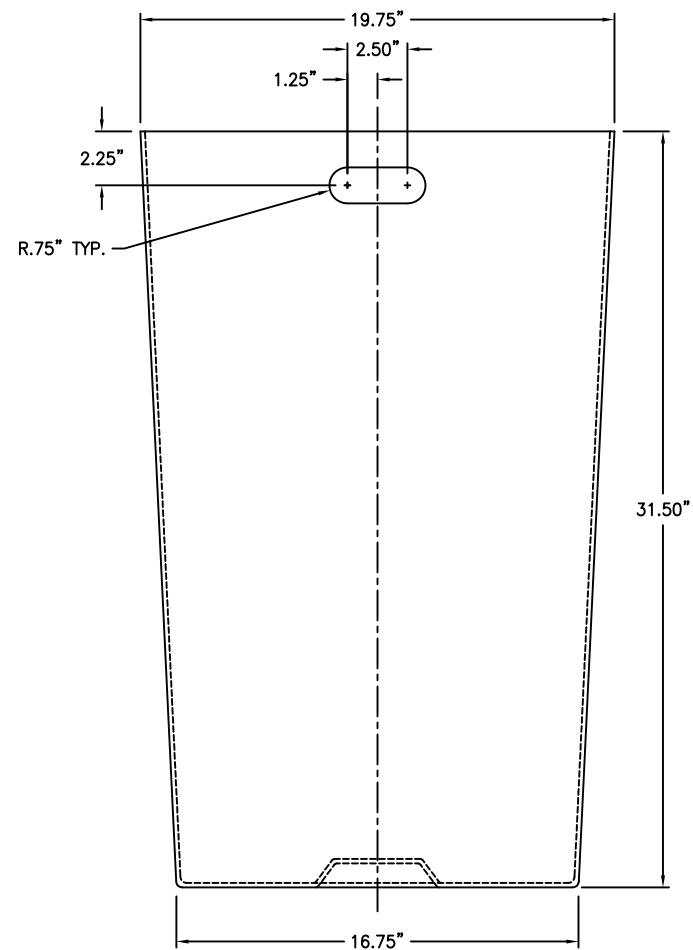
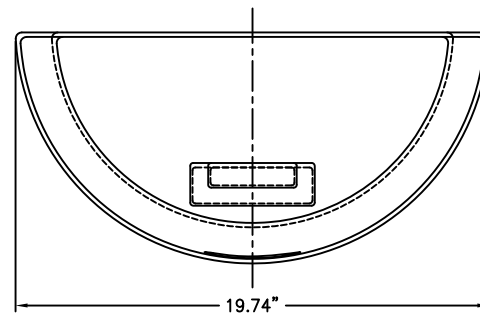


MOLD DETAILS & DIMENSIONS
3% SHRINK ADDED



FINISHED DETAILS & DIMENSIONS

REVISED COMPLETE - ADDED MOLD DETAILS

WAUSAU TILE SITE FURNISHINGS						P.O. BOX 1520 WAUSAU, WISCONSIN 54402-1520 800/388-8728 E-MAIL: TITLE@WAUSAUTILE.COM WEB SITE: WWW.WAUSAUTILE.COM		
REVISIONS						DRAWN BY	TITLE	MATERIAL
NO.	DATE	BY	NO.	DATE	BY	MJS	HALF LINER & MOLD DETAILS	LLDPE
1	7/12/07	MJS	4					
2	12/15/10	MMU	5					
3			6					
						JOB NO.	JOB	WEIGHT
						SCALE	1/4" = 1"	UNLESS OTHERWISE SPECIFIED DIMENSIONS ARE IN INCHES ANGLES ±0.5° FRACTIONS ± 1/64" 2 PL. ±0.01 3 PL. ±0.005
						DATE	3/9/07	FINISH OPTIONS
							D	DWG. NO. 700374