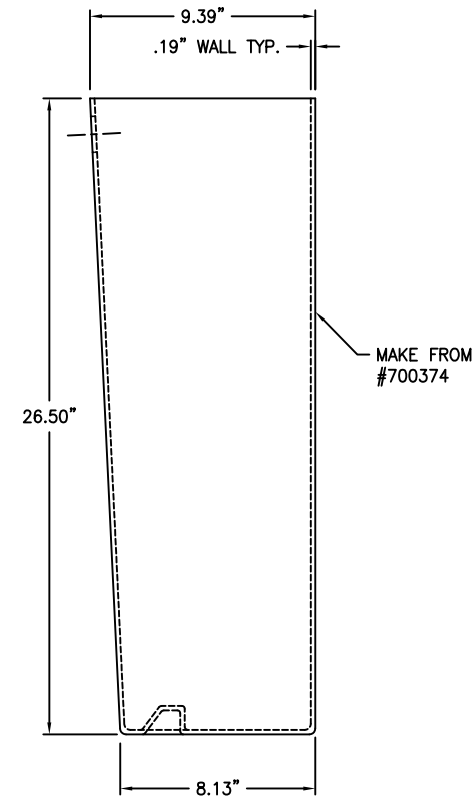


FINISHED DETAILS & DIMENSIONS



WAUSAU TILE		P.O. BOX 1520 WAUSAU, WISCONSIN 54402-1520 800/388-8728 E-MAIL: WTL@WAUSAUTILE.COM WEB SITE: WWW.WAUSAUTILE.COM			
DRAWN BY	M JOHNSON	TITLE	26.50" TALL HALF LINER	MATERIAL	LLDPE
JOB NO.		JOB		WEIGHT	
SCALE	1/4" = 1"	UNLESS OTHERWISE SPECIFIED DIMENSIONS ARE IN INCHES ANGLES ±0.5° FRACTIONS ± 1/64" 2 PL. ±0.01 3 PL. ±0.005	DATE	6/2/11	FINISH OPTIONS
REV		DESCRIPTION	NAME	DATE	DWG. NO. 351353

1	-----	---	--/--/--
REV		DESCRIPTION	NAME DATE