

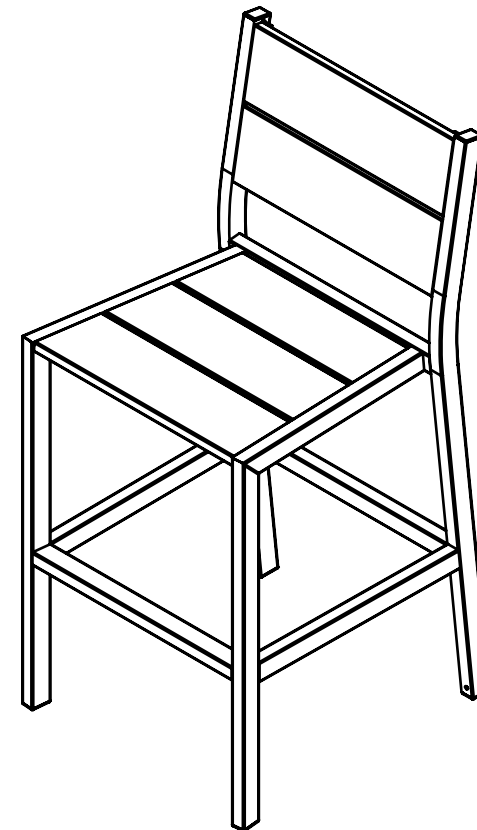
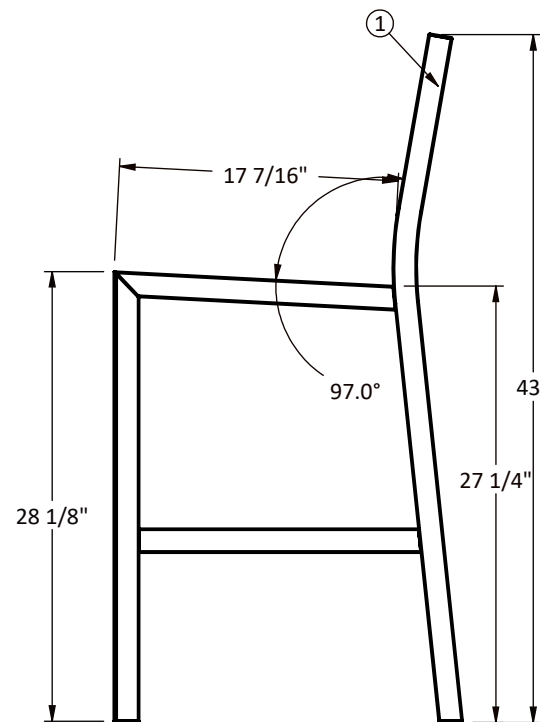
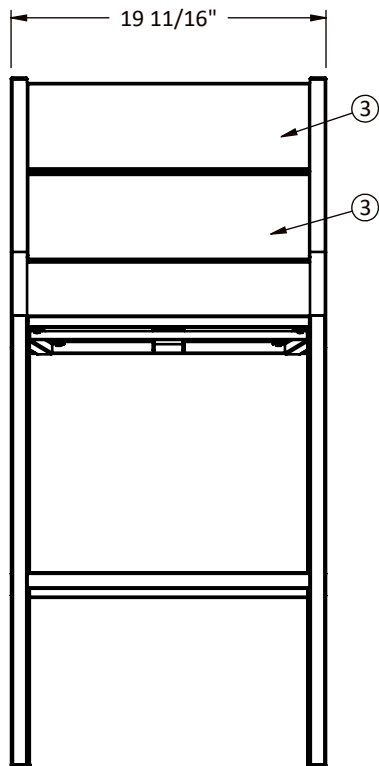
ITEM	PART NUM	DESCRIPTION	QTY
1	430281	HT CHAIR ARMLESS	1
2	370003	BOARD, RP, 3/4 X 5 1/2 X 17 7/16	1
3	370003	BOARD, RP, 3/4 X 5 1/2 X 17 9/16	2
4	370003	BOARD, RP, 3/4 X 5 1/2 X 16 7/16	1
5	370003	BOARD, RP, 3/4 X 5 1/2 X 15 7/16	1
6	400157	HWHSMS, 8-15 X 3/4, 18-8	24
7	400201	DINING CHAIR LEG PLUG	4


MADE IN WAUSAU®
 Wausau Tile
 P.O. BOX 1520, WAUSAU, WI 54402-1520
 800-388-8728
 E-MAIL: WTILE@WAUSAUTILE.COM
 WEBSITE: WWW.WAUSAUTILE.COM

REVISIONS

NAME	DATE	NOTES
1		
2		
3		
4		
5		
6		
7		
8		

CONFIDENTIAL INFORMATION
 THESE DRAWINGS, SPECIFICATIONS AND OTHER INFORMATION AND DOCUMENTS ACCOMPANYING THEM ARE THE CONFIDENTIAL AND PROPRIETARY PROPERTY OF WAUSAU TILE, INC. THE DRAWINGS THEMSELVES SHALL BELONG TO THE OWNER FOR USE ONLY ON THE PROJECT. ANY ADDITIONAL USE SHALL REQUIRE THE PRIOR WRITTEN APPROVAL OF WAUSAU TILE, INC. THE PROPRIETARY INFORMATION CONTAINED WITHIN THE DRAWINGS AND THE DOCUMENTS IS AND SHALL REMAIN THE SOLE PROPERTY OF WAUSAU TILE, INC.



LORNA HT DINING CHAIR - RECYCLED PLASTIC

UNLESS OTHERWISE SPECIFIED DIMENSIONS ARE IN INCHES
 TOLERANCE:
 FRACTIONS ± 1/8" ANGLE ± 0.5°
 DIM: 2-PL ± 0.01 3-PL ± 0.05

DRAWN BY: BDL 6/24/2020

DATE: 9/1/2020

MATERIAL:

CO NUMBER:

WEIGHT:

NUMBER:

2316