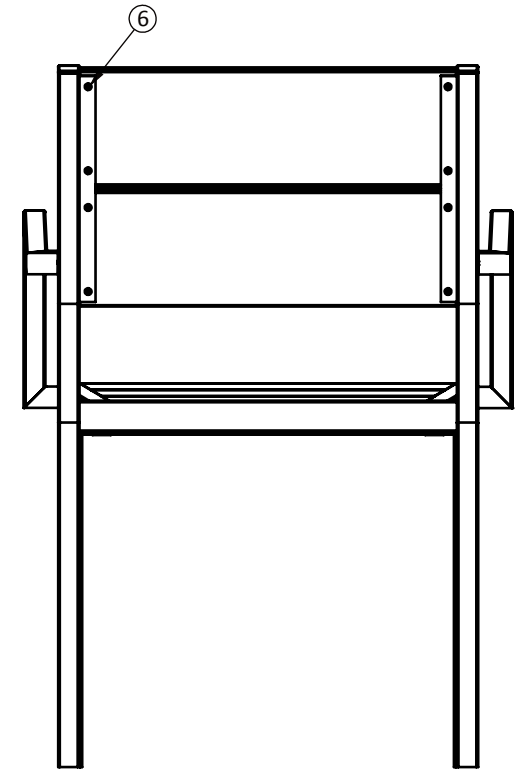
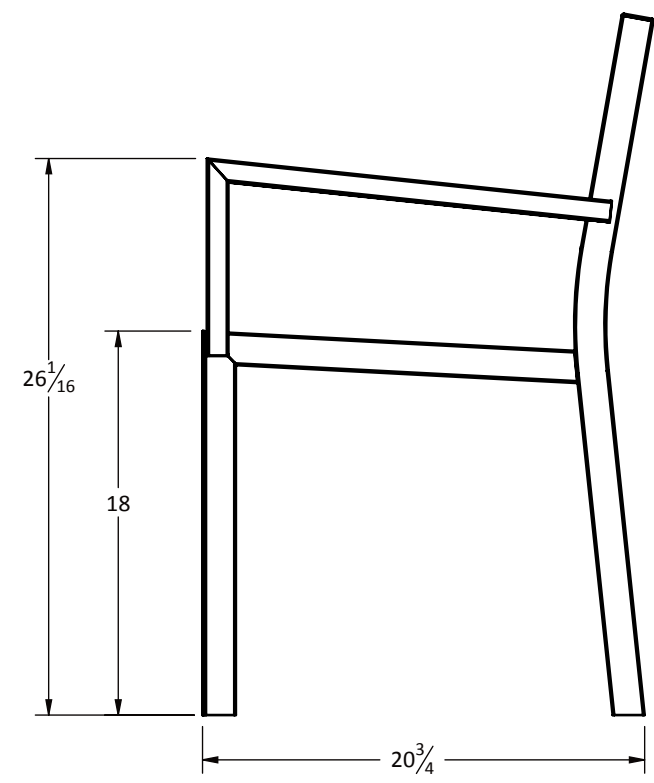
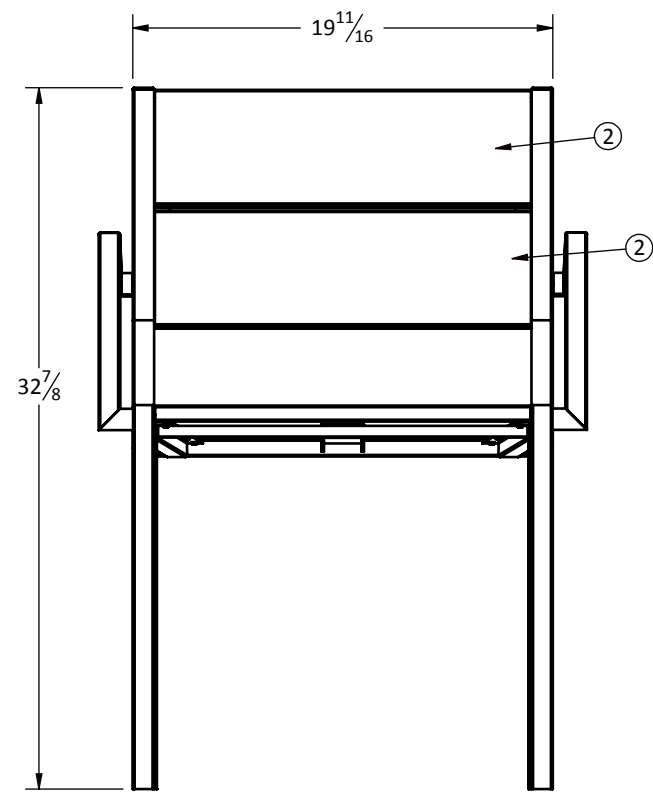
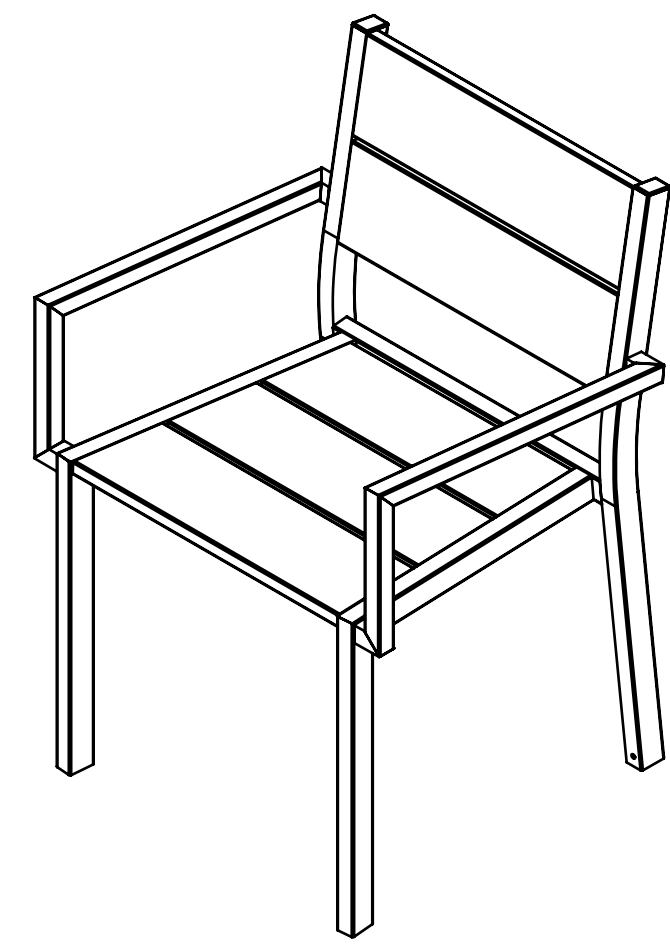
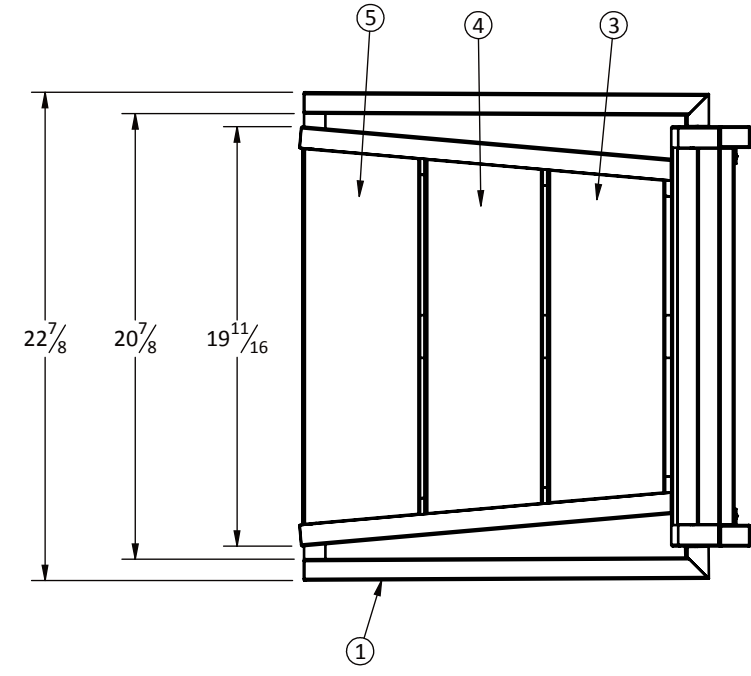


ITEM NO.	PART NUMBER	DESCRIPTION	QTY.
1	800077	CHAIR W/ARMS	1
2	450478	BOARD CHAIR BACK	2
3	450479	BOARD CHAIR SEAT	1
4	450480	BOARD CHAIR SEAT	1
5	450481	BOARD CHAIR SEAT	1
6	400181	#8 X 3/4 TPHMSM, 18-8 SS	20



P.O. BOX 1520, WAUSAU, WI 54402-1520  
 00-388-8728  
 E-MAIL: WTILE@WAUSAUTILE.COM  
 WEBSITE: WWW.WAUSAUTILE.COM

REVISIONS		
NAME	DATE	NOTES
1		
2		
3		
4		
5		
6		
7		
8		

**CONFIDENTIAL INFORMATION**  
 THESE DRAWINGS, SPECIFICATIONS AND OTHER INFORMATION AND DOCUMENTS ACCOMPANYING THEM ARE THE CONFIDENTIAL AND PROPRIETARY PROPERTY OF WAUSAU TILE, INC. THE DRAWINGS THEMSELVES SHALL BELONG TO THE OWNER FOR USE ONLY ON THE PROJECT. ANY ADDITIONAL USE SHALL REQUIRE THE PRIOR WRITTEN APPROVAL OF WAUSAU TILE, INC. THE PROPRIETARY INFORMATION CONTAINED WITHIN THE DRAWINGS AND THE DOCUMENTS IS AND SHALL REMAIN THE SOLE PROPERTY OF WAUSAU TILE, INC.

CHAIR W/ARM

UNLESS OTHERWISE SPECIFIED  
 DIMENSIONS ARE IN INCHES  
 TOLERANCE:  
 FRACTIONS ± 1/8" ANGLE ±0.5°  
 DIM: 2-PL ±0.01 3-PL ±.005

DRAWN BY: JEM 7/10/2015  
 DATE: 7/10/2015  
 MATERIAL:  
 CO NUMBER:  
 WEIGHT:  
 NUMBER: MF2309