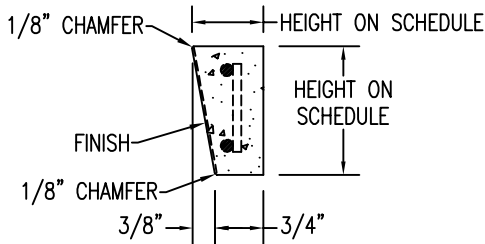
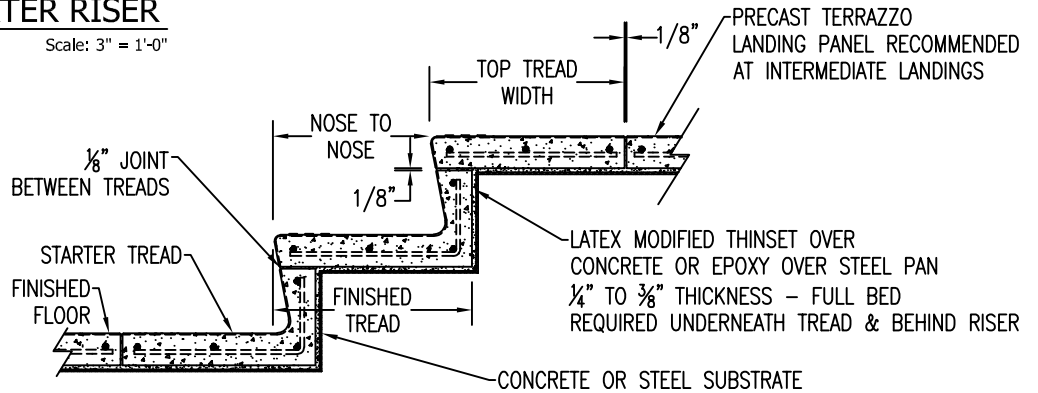


**1 SECTION OF S-36 T/R**  
Scale: 6" = 1'-0"



**2 SECTION OF S-36 STARTER RISER**  
Scale: 3" = 1'-0"



**3 PARTIAL STAIR SECTION S-36 T/R**  
Scale: 1 1/2" = 1'

MAXIMUM TREAD LENGTH: 96"  
2" MINIMUM THICKNESS

LANDING PANELS AVAILABLE IN 2" THICKNESS.  
MAXIMUM PANEL SIZE IS 20 SF



P: 800.388.8728  
E: WTILE@WAUSAUTILE.COM  
WWW.WAUSAUTILE.COM

**CONFIDENTIAL INFORMATION**  
THESE DRAWING, SPECIFICATIONS AND OTHER INFORMATION AND DOCUMENTS ACCOMPANYING THEM ARE THE CONFIDENTIAL AND PROPRIETARY PROPERTY OF WAUSAU TILE, INC. THE DRAWINGS THEMSELVES SHALL BELONG TO THE OWNER FOR USE ONLY ON THE PROJECT. ANY ADDITIONAL USE SHALL REQUIRE THE PRIOR WRITTEN APPROVAL OF WAUSAU TILE, INC. THE PROPRIETARY INFORMATION CONTAINED WITHIN THE DRAWINGS AND THE DOCUMENTS IS AND SHALL REMAIN THE SOLE PROPERTY OF WAUSAU TILE, INC

PRECAST TERRAZZO  
S-36 CEMENT TREAD & RISER

REVISIONS				DRAWN BY: MR
	NAME	DATE	NOTES	
1	---	---	---	DATE: 10/21/14
2	---	---	---	SCALE: AS NOTED
3	---	---	---	
4	---	---	---	SHEET NO. 19