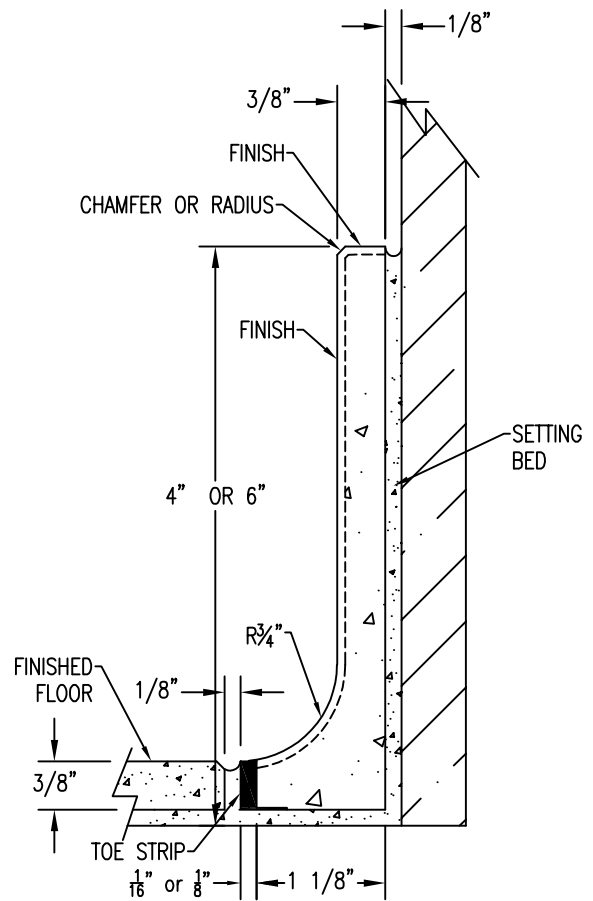
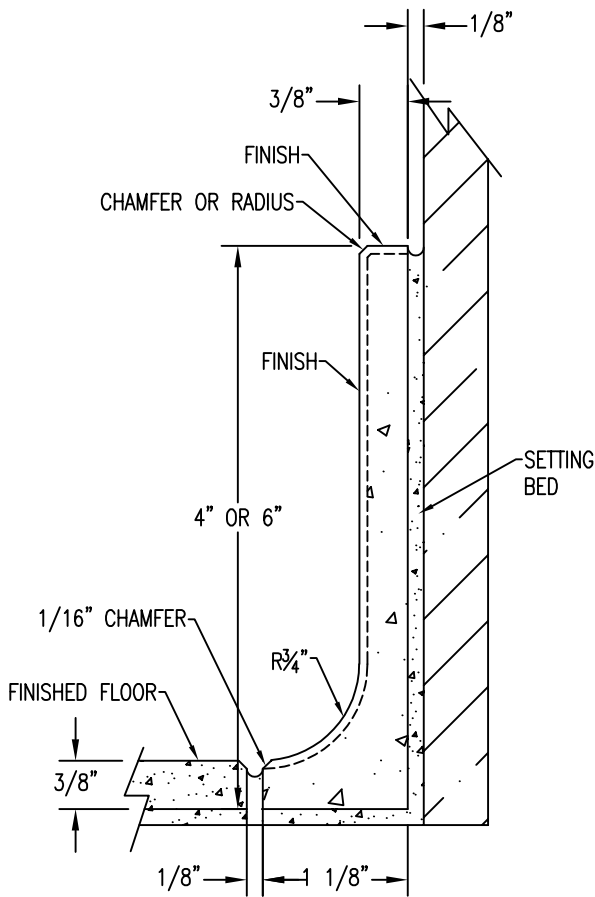


2 FRONT ELEVATION TYPICAL BASE
Scale: 3" = 1'

1 FRONT ELEVATION LEFT OUTCORNER
Scale: 3" = 1'-0"



4 SECTION VIEW COVE BASE
Scale: FULL

3 SECTION VIEW COVE BASE WITH ZINC STRIP
Scale: FULL

STANDARD BASE AVAILABLE IN 4" TALL OR 6" TALL AND 36" LENGTHS



P: 800.388.8728
E: WTILE@WAUSAUTILE.COM
WWW.WAUSAUTILE.COM

CONFIDENTIAL INFORMATION
THESE DRAWING, SPECIFICATIONS AND OTHER INFORMATION AND DOCUMENTS ACCOMPANYING THEM ARE THE CONFIDENTIAL AND PROPRIETARY PROPERTY OF WAUSAU TILE, INC. THE DRAWINGS THEMSELVES SHALL BELONG TO THE OWNER FOR USE ONLY ON THE PROJECT. ANY ADDITIONAL USE SHALL REQUIRE THE PRIOR WRITTEN APPROVAL OF WAUSAU TILE, INC. THE PROPRIETARY INFORMATION CONTAINED WITHIN THE DRAWINGS AND THE DOCUMENTS IS AND SHALL REMAIN THE SOLE PROPERTY OF WAUSAU TILE, INC

PRECAST TERRAZZO
COVE BASE

REVISIONS				DRAWN BY: MR
	NAME	DATE	NOTES	DATE: 10/21/14
1	MS/JH	4/16/20		SCALE: AS NOTED
2	---	---	---	
3	---	---	---	
4				SHEET NO. 12