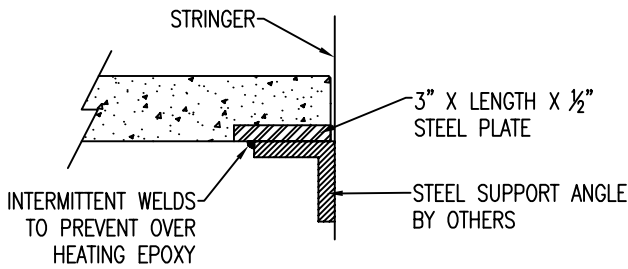
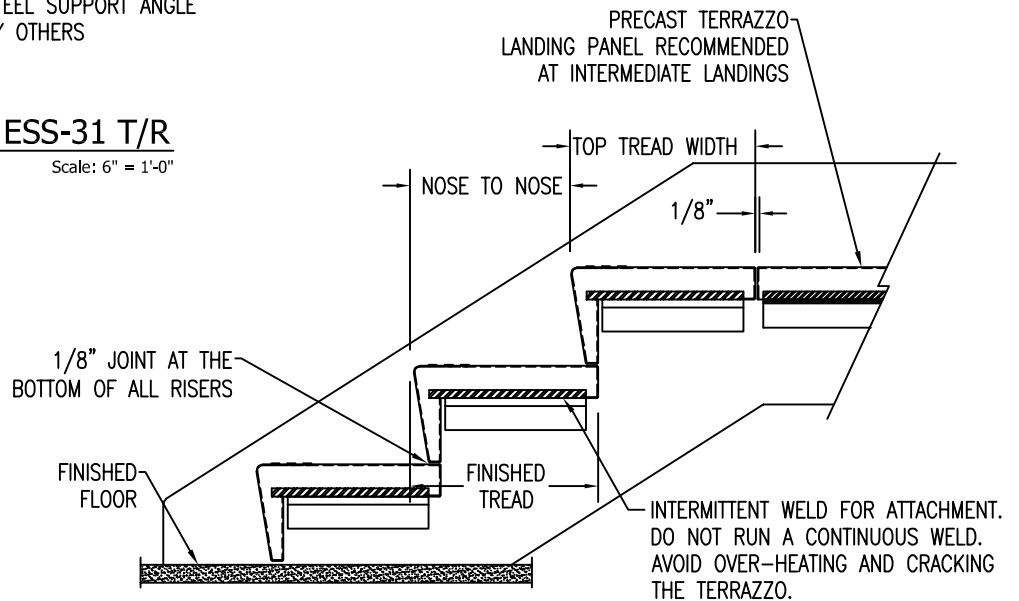


**1 SECTION OF ESS-31 T/R**  
Scale: 6" = 1'-0"



**2 ELEVATION SECTION ESS-31 T/R**  
Scale: 6" = 1'-0"



**3 PARTIAL STAIR SECTION ESS-31 T/R**  
Scale: NONE

MAXIMUM TREAD LENGTH: 96"  
 2" MINIMUM THICKNESS UP TO 48" LONG  
 2 1/2" MINIMUM THICKNESS UP TO 72" LONG  
 3" MINIMUM THICKNESS UP TO 96" LONG

LANDING PANELS AVAILABLE IN THICKNESSES FROM 2" UP. MAXIMUM PANEL SIZE IS 20 SF



P: 800.388.8728  
 E: WTILE@WAUSAUTILE.COM  
 WWW.WAUSAUTILE.COM

**CONFIDENTIAL INFORMATION**  
 THESE DRAWING, SPECIFICATIONS AND OTHER INFORMATION AND DOCUMENTS ACCOMPANYING THEM ARE THE CONFIDENTIAL AND PROPRIETARY PROPERTY OF WAUSAU TILE, INC. THE DRAWINGS THEMSELVES SHALL BELONG TO THE OWNER FOR USE ONLY ON THE PROJECT. ANY ADDITIONAL USE SHALL REQUIRE THE PRIOR WRITTEN APPROVAL OF WAUSAU TILE, INC. THE PROPRIETARY INFORMATION CONTAINED WITHIN THE DRAWINGS AND THE DOCUMENTS IS AND SHALL REMAIN THE SOLE PROPERTY OF WAUSAU TILE, INC

PRECAST TERRAZZO  
 ESS-31 EPOXY TREAD & RISER

REVISIONS				DRAWN BY: MR
	NAME	DATE	NOTES	
1	MS/JH	4/16/20		DATE: 10/21/14
2	---	---	---	SCALE: AS NOTED
3	---	---	---	
4	---	---	---	SHEET NO. 10