



# WAUSAU TILE

P.O. BOX 1520, WAUSAU, WI 54402-1520  
800-388-8728  
EMAIL: WTILE@WAUSAUTILE.COM  
WEBSITE: WWW.WAUSAUTILE.COM

### REVISIONS

	BY	DATE	NOTE
1	-		-
2	-		-
3	-		-
4	-		-
5			

**CONFIDENTIAL INFORMATION**  
THESE DRAWINGS, SPECIFICATIONS AND OTHER INFORMATION AND DOCUMENTS ACCOMPANYING THEM ARE THE CONFIDENTIAL AND PROPRIETARY PROPERTY OF WAUSAU TILE, INC. THE DRAWINGS THEMSELVES SHALL BELONG TO THE OWNER FOR USE ONLY ON THE PROJECT. ANY ADDITIONAL USE SHALL REQUIRE THE PRIOR WRITTEN APPROVAL OF WAUSAU TILE, INC. THE PROPRIETARY INFORMATION CONTAINED WITHIN THE DRAWINGS AND THE DOCUMENTS IS AND SHALL REMAIN THE SOLE PROPERTY OF WAUSAU TILE, INC.

UNLESS OTHERWISE SPECIFIED DIMENSIONS SHOWN ARE ROUNDED TO THE CLOSEST FRACTION ± 1/16"

DRAWING SCALE: NOT TO SCALE

FABRICATION TOLERANCE: ± 1/8"

CUSTOMER SIGNATURE REQUIRED

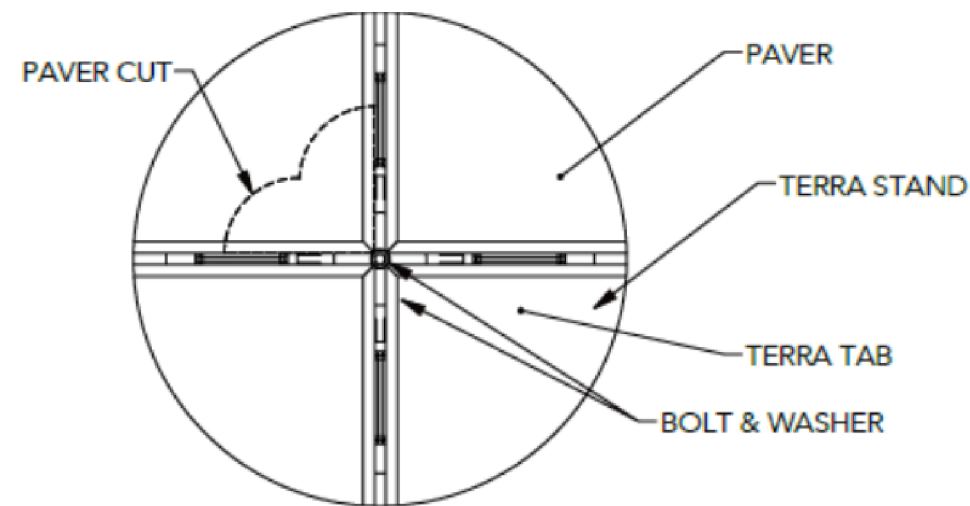
APPROVED: \_\_\_\_\_

DATE: \_\_\_\_\_

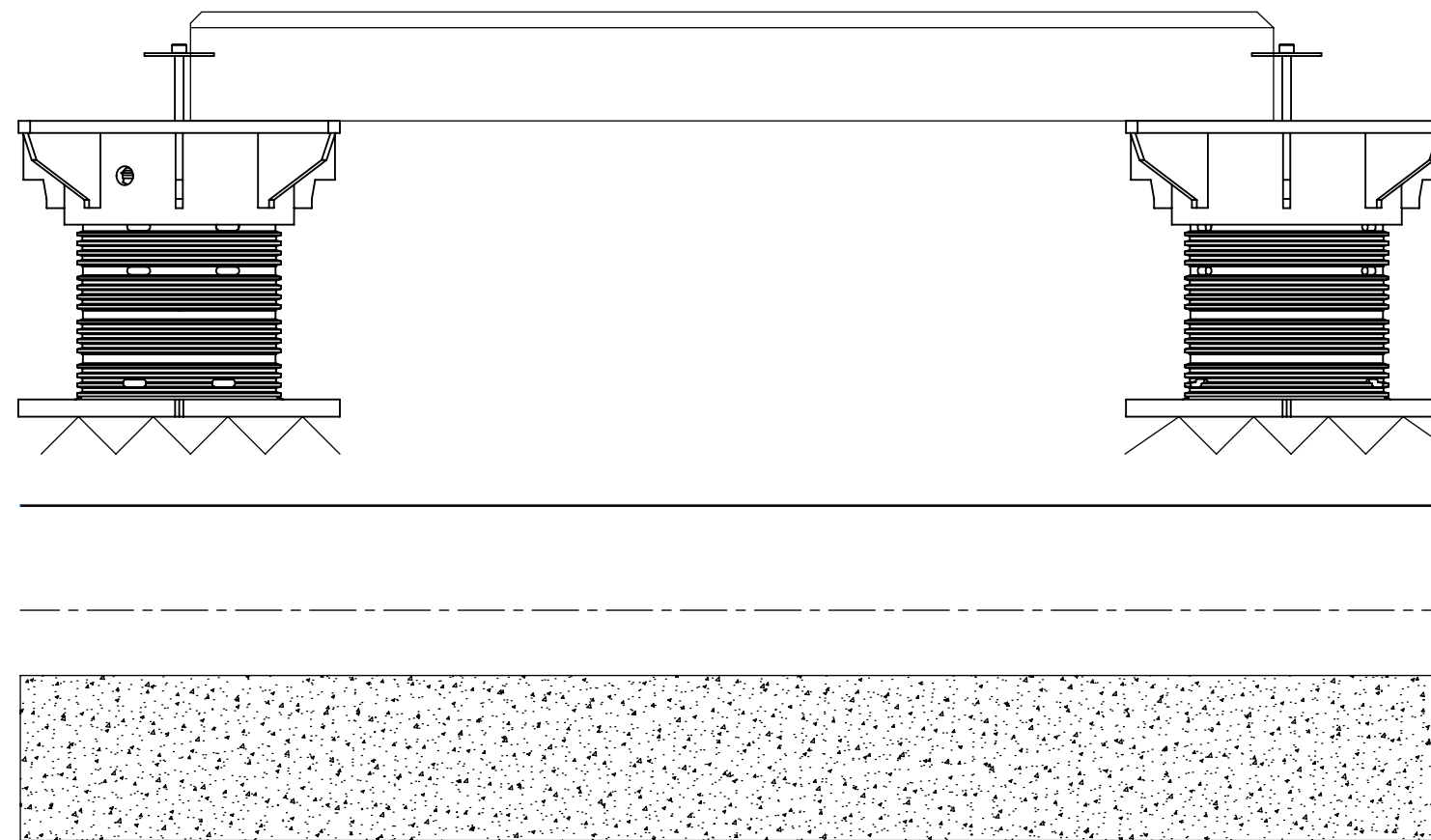
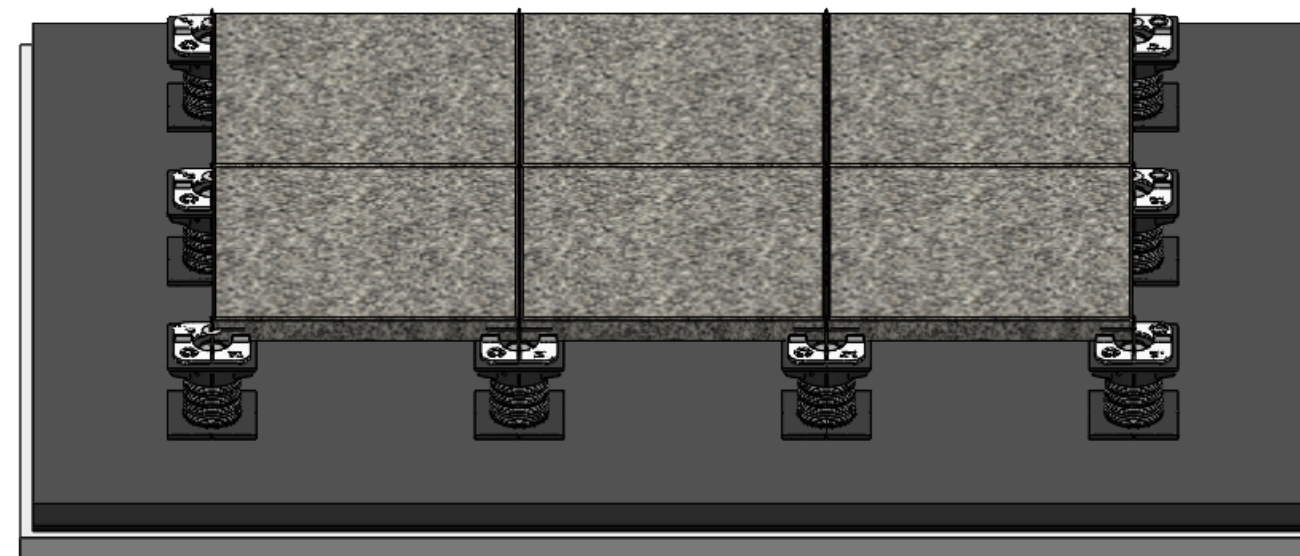
(SIGNATURE ABOVE ILLUSTRATES YOU HAVE REVIEWED ALL ASPECTS OF THE DESIGN FOR ACCURACY AND COMPLIANCE WITH YOUR JOB REQUIREMENTS AND APPROVE FABRICATION AS REPRESENTED WITHIN THESE DRAWINGS)

DRAWN BY: \_\_\_\_\_ DATE: 2/5/2021

PRODUCT NUMBER:  
**ASLAN RS 289**



PEDESTAL NEEDS TO BE CENTERED FOR PROPER INSTALLATION



TOP COAT: ASLAN RS 289 W/ COLORPAK APPLIED AT RATE OF 3.2 GALLONS PER 100 SQ. FT.

PRIMER: ALSAN RS 276 PRIME, APPLIED AT A RATE OF 1 -1.5 GALLONS PER 100 SQ. FT.

2500PSI MINIMUM STRUCTURAL CONCRETE DECK