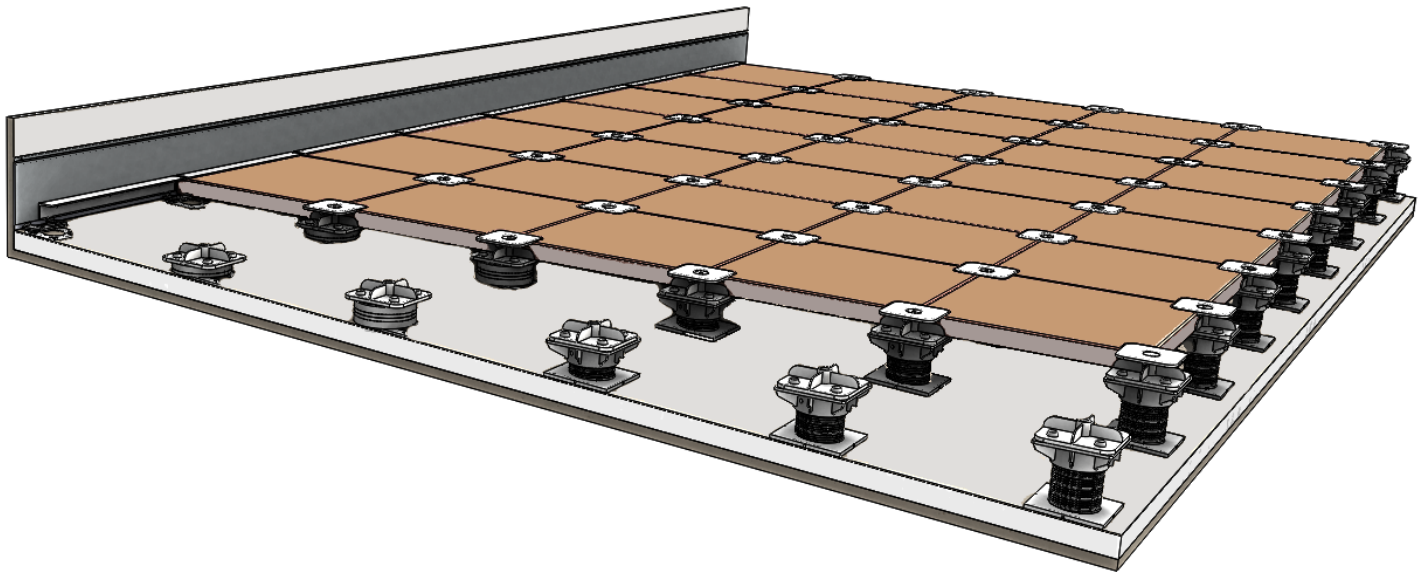
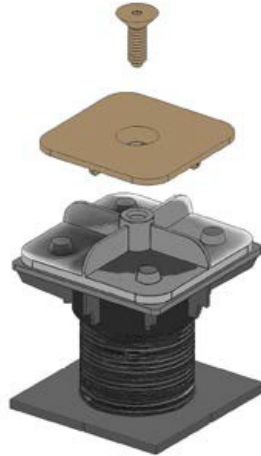
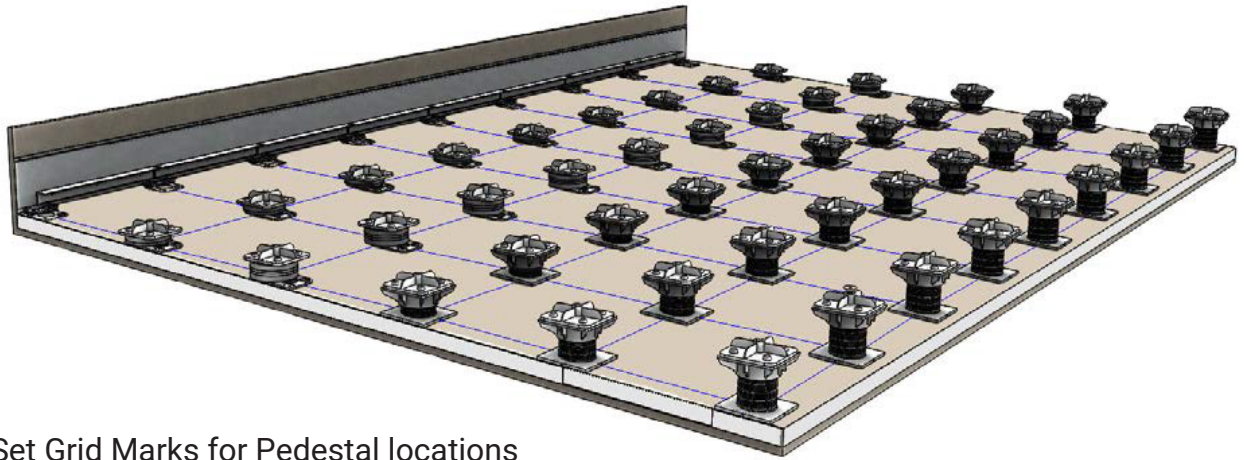


## Lok-Down Instructions

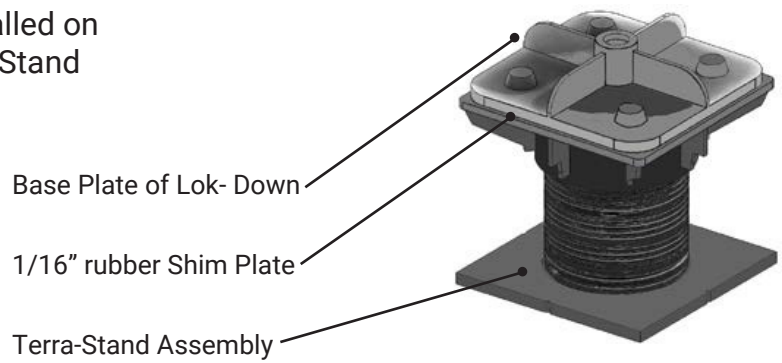




Set Grid Marks for Pedestal locations

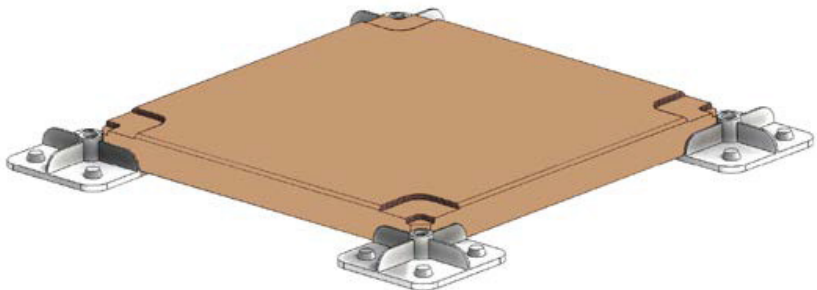
Lok-Down units must be installed on a level pedestal system

Lok-Down base units can be installed on Shims, Waffle Reducers, or Terra-Stand Pedestals



Install Lok-Down Pavers on base plates

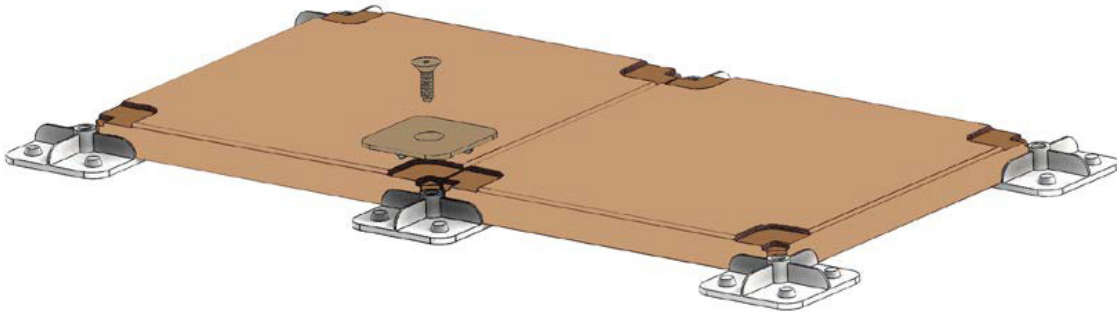
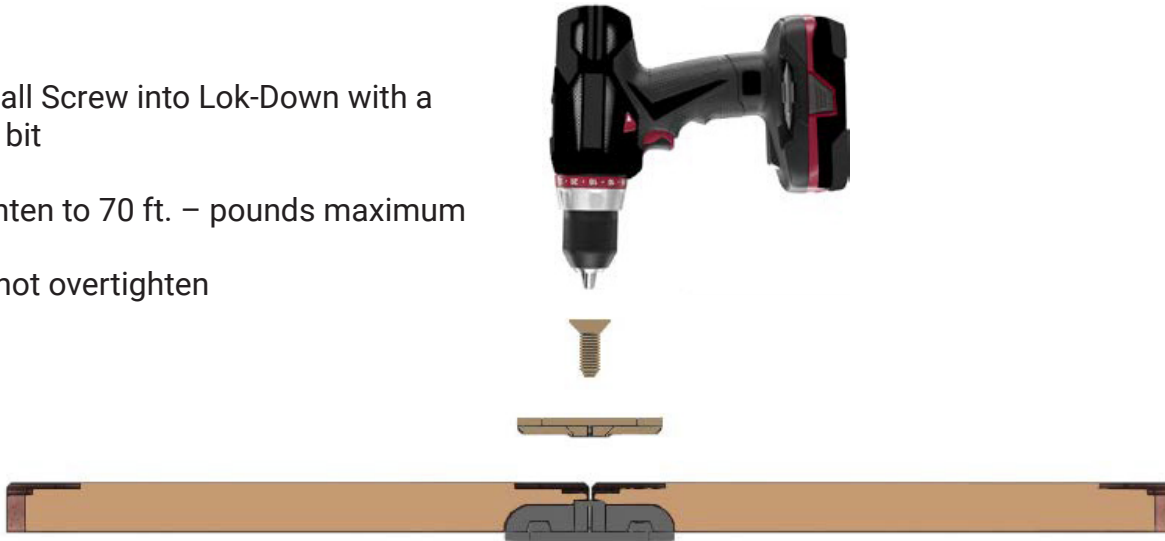
Maintain proper alignment between the base plate, and the underside of the paver



Install Screw into Lok-Down with a hex bit

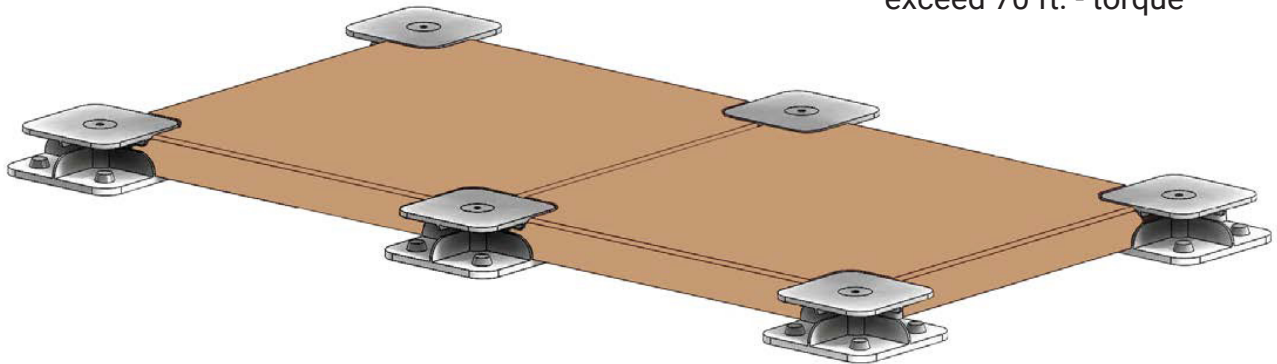
Tighten to 70 ft. – pounds maximum

Do not overtighten



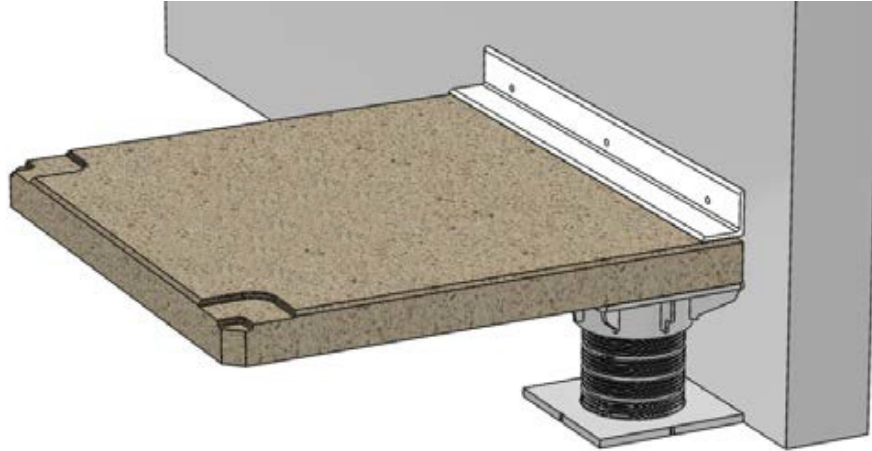
Lok-Down Top Plate must be flush with paver surface

Verify screw does not exceed 70 ft. - torque



## Wall Termination Method

Termination Bar installed above the paver



Termination Bar installed flush with paver

