



WAUSAU TILE

P.O. BOX 1520, WAUSAU, WI 54402-1520
 800-388-8728
 EMAIL: WTILE@WAUSAUTILE.COM
 WEBSITE: WWW.WAUSAUTILE.COM

REVISIONS

	BY	DATE	NOTE
1	-		-
2	-		-
3	-		-
4	-		-
5			

CONFIDENTIAL INFORMATION
 THESE DRAWINGS, SPECIFICATIONS AND OTHER INFORMATION AND DOCUMENTS ACCOMPANYING THEM ARE THE CONFIDENTIAL AND PROPRIETARY PROPERTY OF WAUSAU TILE, INC. THE DRAWINGS THEMSELVES SHALL BELONG TO THE OWNER FOR USE ONLY ON THE PROJECT. ANY ADDITIONAL USE SHALL REQUIRE THE PRIOR WRITTEN APPROVAL OF WAUSAU TILE, INC. THE PROPRIETARY INFORMATION CONTAINED WITHIN THE DRAWINGS AND THE DOCUMENTS IS AND SHALL REMAIN THE SOLE PROPERTY OF WAUSAU TILE, INC.

UNLESS OTHERWISE SPECIFIED DIMENSIONS SHOWN ARE ROUNDED TO THE CLOSEST FRACTION ± 1/16"

DRAWING SCALE: NOT TO SCALE

FABRICATION TOLERANCE: ± 1/8"

HIDDEN LOKDOWN ASSEMBLY INSTRUCTIONS

CUSTOMER SIGNATURE REQUIRED

APPROVED: _____

DATE: _____

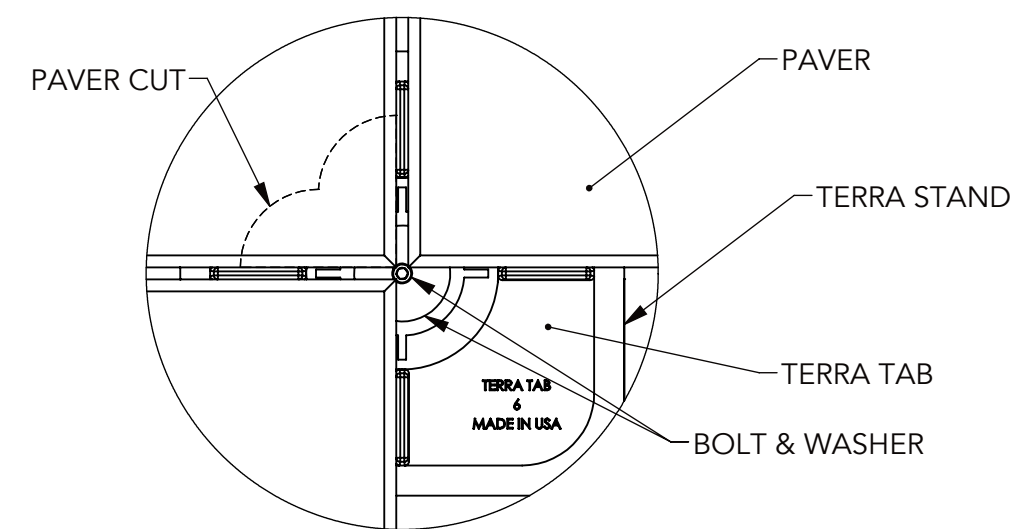
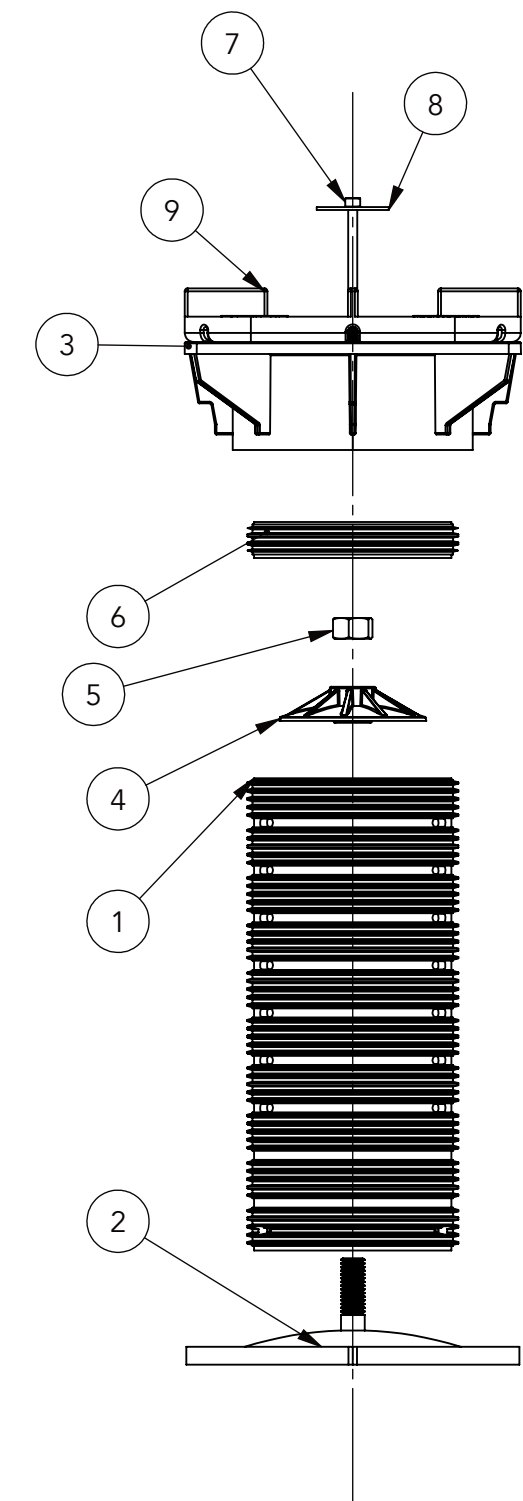
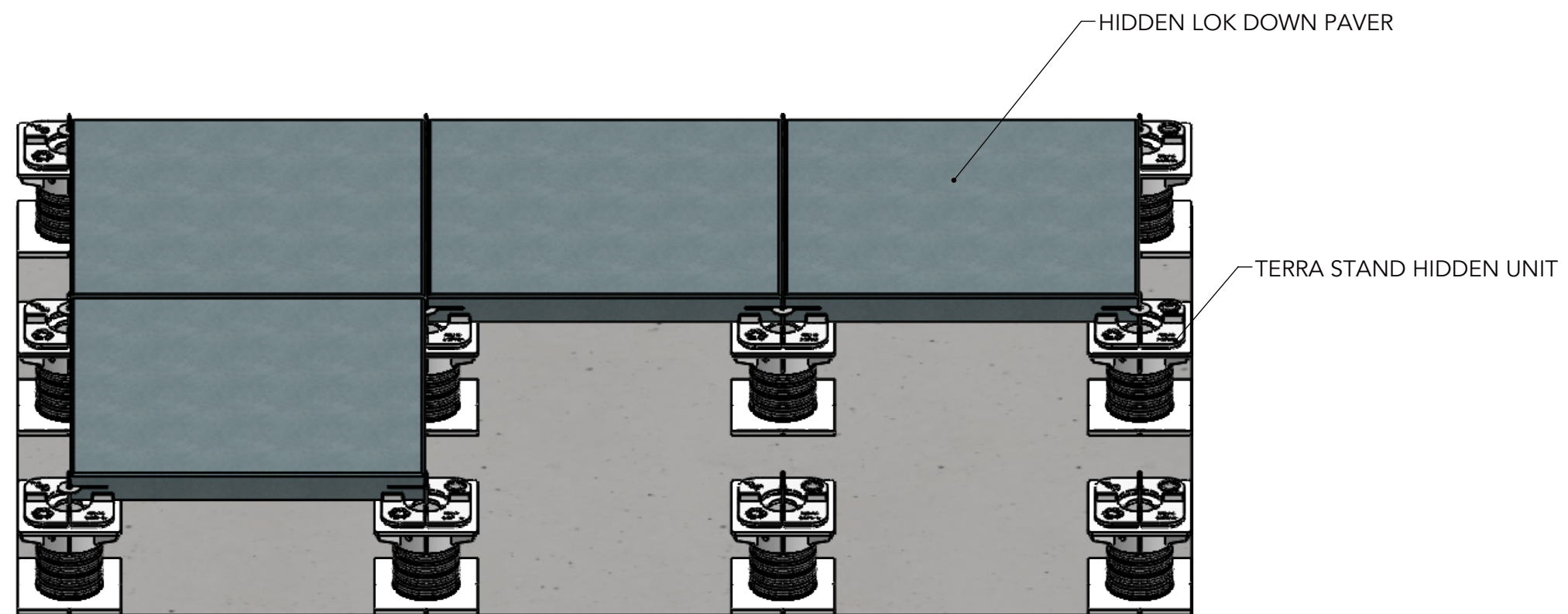
(SIGNATURE ABOVE ILLUSTRATES YOU HAVE REVIEWED ALL ASPECTS OF THE DESIGN FOR ACCURACY AND COMPLIANCE WITH YOUR JOB REQUIREMENTS AND APPROVE FABRICATION AS REPRESENTED WITHIN THESE DRAWINGS)

DRAWN BY: BL DATE: 1/12/2021

CO NUMBER: -

WEIGHT: -

PRODUCT NUMBER:
 HIDDEN LOKDOWN INSTALL



PEDESTAL NEEDS TO BE CENTERED FOR PROPER INSTALLATION

ITEM NO.	DESCRIPTION
1	TERRA CORE
2	PEDESTAL BASE
3	PEDESTAL TOP
4	LEVELING BRACKET
5	ANCHOR NUT
6	THREADED INSERT
7	SCREW
8	WASHER
9	#5 TERRA TAB 3/16" JOINT

- TO ASSEMBLE PEDESTAL
1. ASSEMBLE PARTS 1,2,4 AND 5.
 2. BE SURE TO LEVEL THE CORE AT THIS STEP. WILL NOT BE ABLE TO LEVEL LATER.
 3. THREAD 6 INTO 3 AS FAR AS YOU CAN, WITH CORRECT SIDE UP.
 4. THREAD ITEM 3 (WITH ITEM 6) ONTO ITEM 1 AT DESIRED HEIGHT.
 5. START THREADING ITEM 7 AND 8 INTO ITEM 6 THROUGH ITEM 3. DO NOT TIGHTEN.
 6. TIGHTEN BOLT 4 LBS USING A TORQUE WRENCH.